

# Intel 2-port 10 Gb Ethernet Expansion Card (CFFh) for BladeCenter

## Product Guide (withdrawn product)

The Intel 2-port 10 Gb Ethernet Expansion Card (CFFh) for BladeCenter is a dual-port 10 Gb Ethernet card that is powered by an Intel Ethernet 82599 third generation 10 Gb Ethernet Controller. This card offers full line-rate 10 Gbps performance for high-I/O intensive clients, and showcases the next generation in 10 GbE networking features for the enterprise network and data center.

Data Center and Large Enterprise customers demand reliable performance from their networking equipment to ensure quick and easy deployment and provisioning of new systems, provide uninterrupted application services across their network to their users, and require maximum network performance for those applications. In addition, this adapter supports the latest virtualization technology, Intel Virtualization Technology for Connectivity (Intel VT for Connectivity).

Figure 1 shows the Intel 2-port 10 Gb Ethernet Expansion Card (CFFh).



Figure 1. The Intel 2-port 10 Gb Ethernet Expansion Card (CFFh)

### Did you know?

Intel VT for Connectivity is a suite of hardware assists that improves overall system performance by lowering the I/O impact in a virtualized environment. This improves CPU usage, reduces system latency, and improves I/O throughput. Intel VT for Connectivity includes two major components: Virtual Machine Device Queues (VMDq) and Intel I/O Acceleration Technology (Intel I/OAT).

## Part number information

Table 1. Ordering part number and feature code

Description	Part number	Feature code
Intel 2-port 10 Gb Ethernet Expansion Card (CFFh) for BladeCenter	42C1810*	3593

\* Withdrawn from marketing

These part numbers include the following items:

- One Intel 2-port 10 Gb Ethernet Expansion Card (CFFh)
- Documentation package

## Features

The expansion card has the following features:

- CFFh form-factor
- PCI Express x8 Gen 2 host interface
- Intel 82599 ASIC
- Two full-duplex 10 Gb Ethernet ports that operate in standard physical NIC (pNIC) mode
- Connectivity to high-speed I/O module bays in BladeCenter H and BladeCenter HT chassis
- Wake on LAN support
- Serial over LAN/cKVM support
- PXE boot support
- VLAN tagging support
- Jumbo frames support
- Failover support
- BladeCenter Open Fabric Manager support
- iSCSI support with native operating system initiators

Performance features:

- I/O advanced technology (I/OAT) acceleration
- Virtual Machine Device Queues (VMDq)
- TCP/IP checksum offload
- TCP/IP segmentation offload

Intel I/O Acceleration Technology (Intel I/OAT) is a suite of features that improves data acceleration across the platform, from networking devices to the chipset and processors, which helps to improve system performance and application response times. The different features include Intel® QuickData, Direct Cache Access (DCA), MSI-X, Low-Latency Interrupts, Receive Side Scaling (RSS), and others.

Virtual Machine Device Queues (VMDq) reduces I/O impact on the hypervisor in a virtualized server by performing data sorting and coalescing in the network silicon. VMDq technology makes use of multiple queues in the network controller. With VMDq, as data packets enter the network adapter, they are sorted, and packets to the same destination (or virtual machine) are grouped together in a single queue. The packets are then sent to the hypervisor, which directs them to their respective virtual machines. Relieving the hypervisor of packet filtering and sorting improves overall CPU usage and throughput levels.

The expansion card has iSCSI support for proven native OS and VMM iSCSI initiators. Historically, CRC32C computation has degraded system performance, but now with the CRC instruction set included in the latest Intel Xeon processors, CRC validation is possible with minimal impact to network throughput while delivering data integrity.

## Operating environment

This card is supported in the following environment:

- Temperature: 0° C to 55° C (32° F to 131° F)
- Operating power: Approximately 10 watts
- Dimensions: Approximately 15.9 cm x 12.5 cm (6.26 in. x 4.92 in.)

## Supported servers

The Intel 2-port 10 Gb Ethernet Expansion Card (CFFh) is supported in the BladeCenter servers listed in Table 2.

Table 2. Supported servers

		HS12	HS22	HS22V	HS23	HS23E	HX5	JS12	JS21	JS22	JS23/JS43
Intel 2-port 10 Gb Ethernet Expansion Card (CFFh)	42C1810	N	Y	Y	Y	Y	Y	N	N	N	N

Figure 2 shows where the CFFh card is installed in a BladeCenter server.

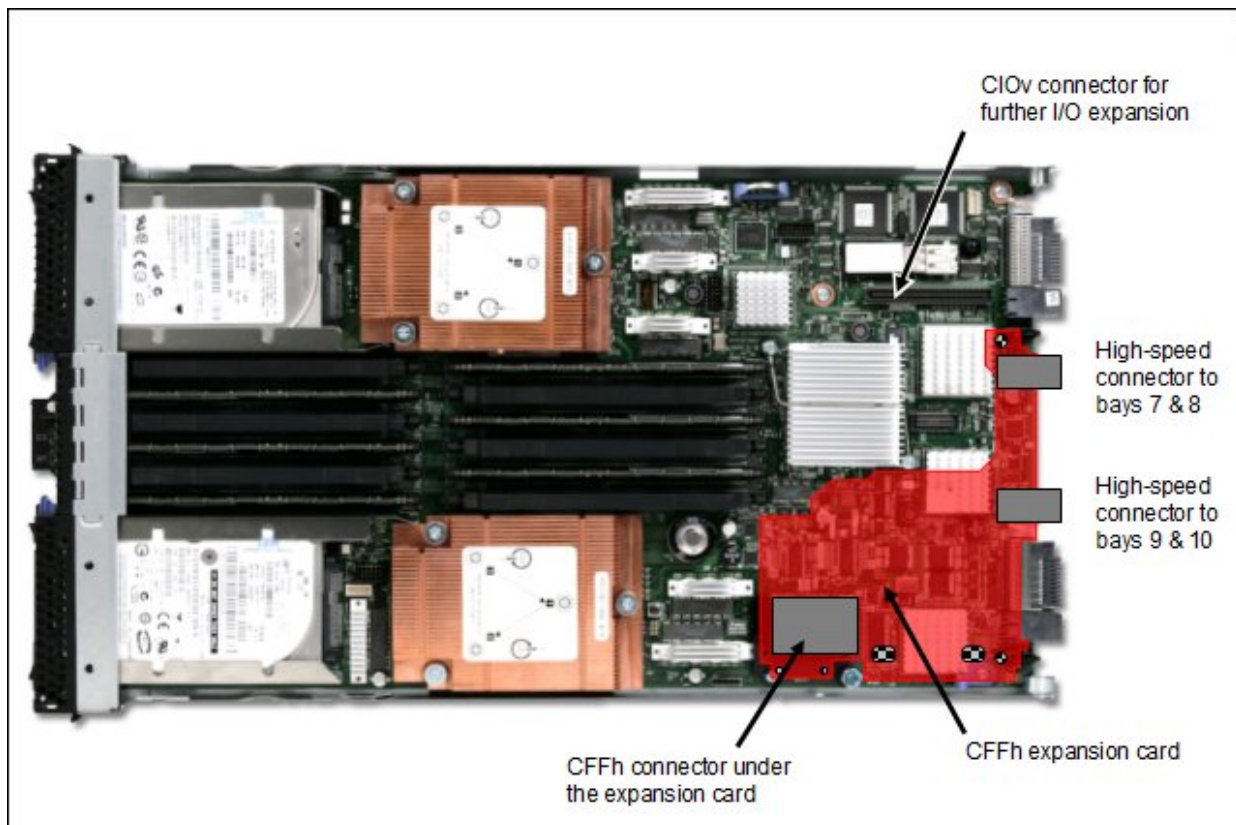


Figure 2. Location on the BladeCenter server planar where the CFFh card is installed

## Supported BladeCenter chassis and I/O modules

BladeCenter chassis support is based on the blade server type in which the expansion card is installed. Consult IBM ServerProven to see which chassis each blade server type is supported at the following address:

<http://ibm.com/servers/eserver/serverproven/compat/us/>.

Table 3 lists the supported chassis and I/O module combinations that the Intel 2-port 10 Gb Ethernet Expansion Card (CFFh) supports.

Table 3. I/O modules supported with the Intel 2-port 10 Gb Ethernet Expansion Card (CFFh)

		BladeCenter S	BladeCenter E	BladeCenter H	BladeCenter T	BladeCenter HT	MSIM	MSIM-HT
BNT Virtual Fabric 10 Gb Switch Module	46C7191	N	N	Y	N	Y	N	N
BNT 6-port 10 Gb High Speed Switch Module	39Y9267	N	N	N	N	N	N	N
10 Gb Ethernet Pass-Thru Module	46M6181	N	N	N	N	N	N	N
Cisco Nexus 4001I Switch Module	46M6071	N	N	Y	N	Y	N	N

In BladeCenter H, the ports of CFFh cards are routed through the midplane to I/O bays 7, 8, 9, and 10, as shown in Figure 3. The BladeCenter HT works in a similar way because the CFFh cards are also routed through the midplane to I/O bays 7, 8, 9, and 10.

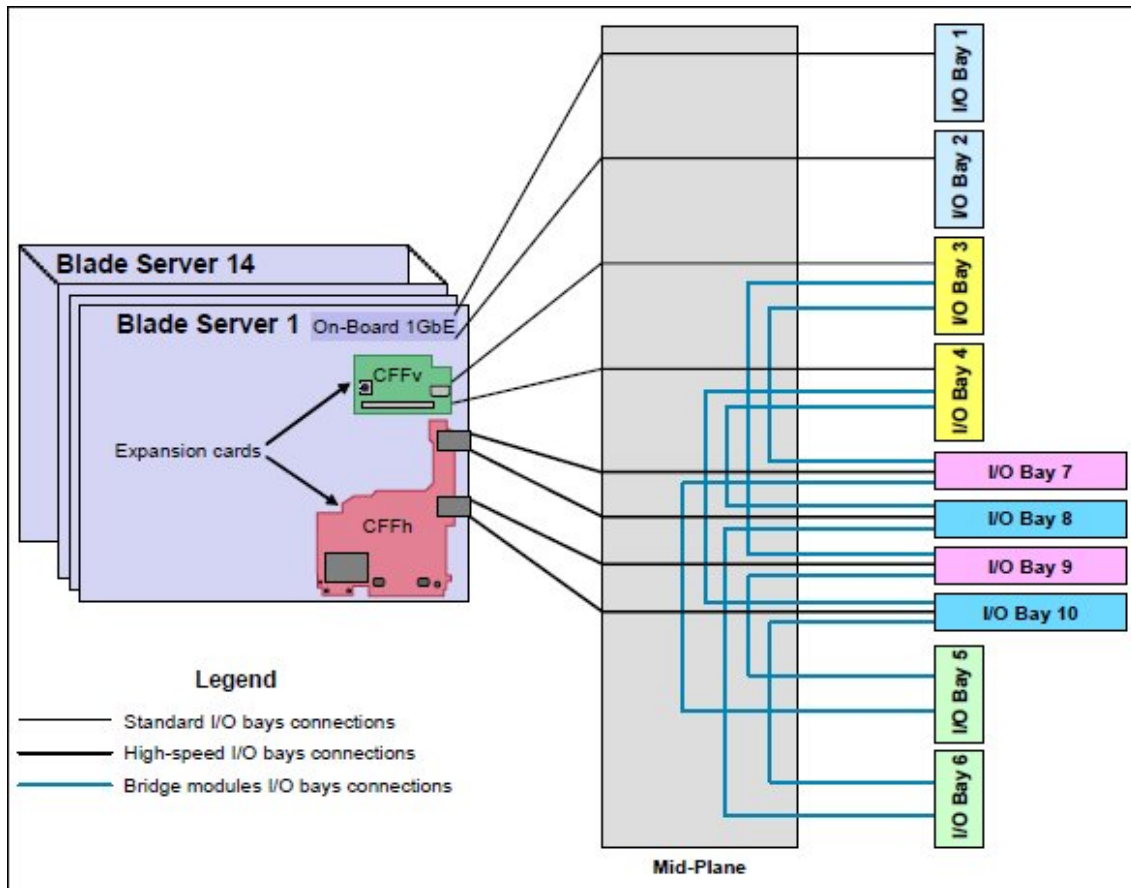


Figure 3. BladeCenter H I/O topology showing the I/O paths from CFFh expansion cards

The Intel 2-port 10 Gb Ethernet Expansion Card (CFFh) requires that two I/O modules be installed in bays 7 and 9 of the BladeCenter H or HT chassis, as shown in Table 4.

Table 4. Locations of I/O modules required to connect to the expansion card

Expansion card	I/O bay 7	I/O bay 8	I/O bay 9	I/O bay 10
Intel 2-port 10 Gb Ethernet Expansion Card (CFFh)	Supported I/O module	Not used	Supported I/O module	Not used

### Popular configurations

Figure 4 shows a configuration using the Intel 2-port 10 Gb Ethernet Expansion Card (CFFh) together with two BNT Virtual Fabric 10 Gb Switch Modules. This solution enables two 10 Gbps Ethernet connections from each blade server. Two BNT Virtual Fabric 10 Gb Switch Modules are installed in bay 7 and bay 9 of the BladeCenter H chassis. All connections between the controller, card, and the switch modules are internal to the chassis. No internal cabling is needed.

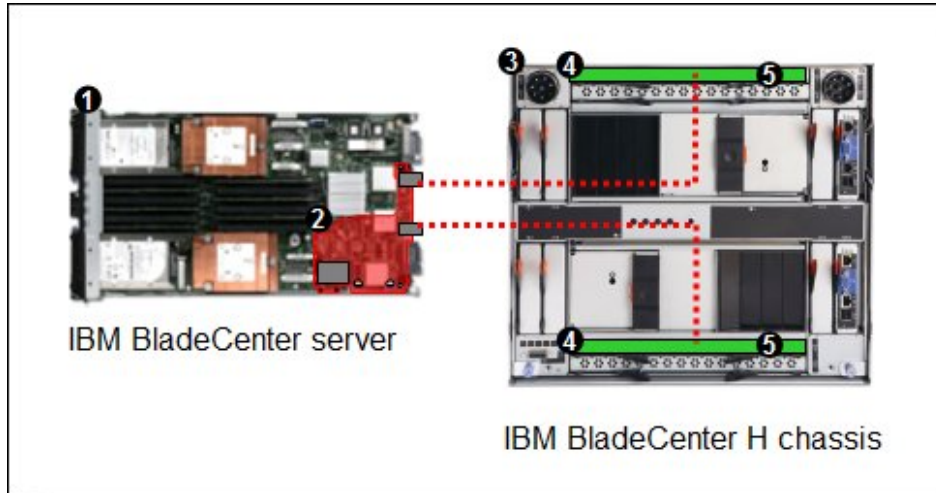


Figure 4. 20 Gb solution using Intel 2-port 10 Gb Ethernet Expansion Card (CFFh)

The components used in this configuration are listed in Table 5.

Table 5. Components used when connecting Intel 2-port 10 Gb Ethernet Expansion Card (CFFh) to two BNT Virtual Fabric 10 Gb Switch Modules

Diagram reference	Part number/machine type	Description	Quantity
1	Varies	BladeCenter HS22 or other supported server	1 to 14
2	42C1810	Intel 2-port 10 Gb Ethernet Expansion Card (CFFh)	1 per server
3	8852 or 8740/8750	BladeCenter H or BladeCenter HT	1
4	46C7191	BNT Virtual Fabric 10 Gb Switch Module	2
5	44W4408	IBM 10GBase-SR SFP+ Transceiver	Up to 20*

\*The BNT Virtual Fabric 10Gb Switch Module has 10 external ports. You must have one transceiver for every external port you plan to utilize.

## Operating system support

The Intel 2-port 10 Gb Ethernet Expansion Card (CFFh) supports the following operating systems:

- Microsoft Windows Server 2003/2003 R2, Datacenter Edition
- Microsoft Windows Server 2003/2003 R2, Datacenter x64 Edition
- Microsoft Windows Server 2003/2003 R2, Enterprise Edition
- Microsoft Windows Server 2003/2003 R2, Enterprise x64 Edition
- Microsoft Windows Server 2003/2003 R2, Standard Edition
- Microsoft Windows Server 2003/2003 R2, Standard x64 Edition
- Microsoft Windows Server 2003, Web Edition
- Microsoft Windows Server 2008 R2
- Microsoft Windows Server 2008, Datacenter x86 Edition
- Microsoft Windows Server 2008, Datacenter x64 Edition
- Microsoft Windows Server 2008, Enterprise x86 Edition
- Microsoft Windows Server 2008, Enterprise x64 Edition
- Microsoft Windows Server 2008 HPC Edition
- Microsoft Windows Server 2008, Standard x86 Edition
- Microsoft Windows Server 2008, Standard x64 Edition
- Microsoft Windows Server 2008, Web x86 Edition
- Microsoft Windows Server 2008, Web x64 Edition
- SUSE LINUX Enterprise Real Time 10 AMD64/EM64T
- SUSE LINUX Enterprise Real Time 11 AMD64/EM64T
- SUSE LINUX Enterprise Server 10 for x86
- SUSE LINUX Enterprise Server 10 for AMD64/EM64T
- SUSE LINUX Enterprise Server 10 with Xen for x86
- SUSE LINUX Enterprise Server 10 with Xen for AMD64/EM64T
- SUSE LINUX Enterprise Server 11 for x86
- SUSE LINUX Enterprise Server 11 for AMD64/EM64T
- SUSE LINUX Enterprise Server 11 with Xen for AMD64/EM64T
- Red Hat Enterprise Linux 5 Server Edition
- Red Hat Enterprise Linux 5 Server x64 Edition
- Red Hat Enterprise Linux 5 Server with Xen x64 Edition
- Red Hat Enterprise Linux 5 Server Edition with Xen
- Red Hat Enterprise MRG 1.0 Realtime (x64)
- VMware ESX 3.5
- VMware ESX 4.0
- VMware ESXi 4.0
- VMware ESXi 3.5

Support for operating systems is based on the combination of the expansion card and the blade server in which it is installed. See IBM ServerProven for the latest information about the specific versions and service packs supported by going to the following address:

<http://ibm.com/servers/eserver/serverproven/compat/us/>.

Select the blade server and then select the expansion card to see the supported operating systems.

## Related publications

For more information, refer to these documents:

- *Intel 2-port 10Gb Ethernet Expansion Card (CFFh) for BladeCenter Installation and User's Guide*  
<http://ibm.com/support/entry/portal/docdisplay?Indocid=MIGR-54793>
- *BladeCenter Interoperability Guide*  
<http://lenovopress.com/bcig>
- *BladeCenter Products and Technology, SG24-7523*  
<http://lenovopress.com/sg247523>

## Related product families

Product families related to this document are the following:

- [Blade Network Adapters](#)

## Notices

Lenovo may not offer the products, services, or features discussed in this document in all countries. Consult your local Lenovo representative for information on the products and services currently available in your area. Any reference to a Lenovo product, program, or service is not intended to state or imply that only that Lenovo product, program, or service may be used. Any functionally equivalent product, program, or service that does not infringe any Lenovo intellectual property right may be used instead. However, it is the user's responsibility to evaluate and verify the operation of any other product, program, or service. Lenovo may have patents or pending patent applications covering subject matter described in this document. The furnishing of this document does not give you any license to these patents. You can send license inquiries, in writing, to:

Lenovo (United States), Inc.  
1009 Think Place - Building One  
Morrisville, NC 27560  
U.S.A.  
Attention: Lenovo Director of Licensing

LENOVO PROVIDES THIS PUBLICATION "AS IS" WITHOUT WARRANTY OF ANY KIND, EITHER EXPRESS OR IMPLIED, INCLUDING, BUT NOT LIMITED TO, THE IMPLIED WARRANTIES OF NON-INFRINGEMENT, MERCHANTABILITY OR FITNESS FOR A PARTICULAR PURPOSE. Some jurisdictions do not allow disclaimer of express or implied warranties in certain transactions, therefore, this statement may not apply to you.

This information could include technical inaccuracies or typographical errors. Changes are periodically made to the information herein; these changes will be incorporated in new editions of the publication. Lenovo may make improvements and/or changes in the product(s) and/or the program(s) described in this publication at any time without notice.

The products described in this document are not intended for use in implantation or other life support applications where malfunction may result in injury or death to persons. The information contained in this document does not affect or change Lenovo product specifications or warranties. Nothing in this document shall operate as an express or implied license or indemnity under the intellectual property rights of Lenovo or third parties. All information contained in this document was obtained in specific environments and is presented as an illustration. The result obtained in other operating environments may vary. Lenovo may use or distribute any of the information you supply in any way it believes appropriate without incurring any obligation to you.

Any references in this publication to non-Lenovo Web sites are provided for convenience only and do not in any manner serve as an endorsement of those Web sites. The materials at those Web sites are not part of the materials for this Lenovo product, and use of those Web sites is at your own risk. Any performance data contained herein was determined in a controlled environment. Therefore, the result obtained in other operating environments may vary significantly. Some measurements may have been made on development-level systems and there is no guarantee that these measurements will be the same on generally available systems. Furthermore, some measurements may have been estimated through extrapolation. Actual results may vary. Users of this document should verify the applicable data for their specific environment.

**© Copyright Lenovo 2020. All rights reserved.**

This document, TIPS0764, was created or updated on August 15, 2012.

Send us your comments in one of the following ways:

- Use the online Contact us review form found at:  
<http://lenovopress.com/TIPS0764>
- Send your comments in an e-mail to:  
[comments@lenovopress.com](mailto:comments@lenovopress.com)

This document is available online at <http://lenovopress.com/TIPS0764>.



## Trademarks

Lenovo and the Lenovo logo are trademarks or registered trademarks of Lenovo in the United States, other countries, or both. A current list of Lenovo trademarks is available on the Web at <https://www.lenovo.com/us/en/legal/copytrade/>.

The following terms are trademarks of Lenovo in the United States, other countries, or both:

BNT®

BladeCenter Interoperability Guide

BladeCenter Open Fabric

BladeCenter®

Lenovo®

ServerProven®

The following terms are trademarks of other companies:

Intel® and Xeon® are trademarks or registered trademarks of Intel Corporation or its subsidiaries in the United States and other countries.

Linux® is the trademark of Linus Torvalds in the U.S. and other countries.

Microsoft®, Windows Server®, and Windows® are trademarks of Microsoft Corporation in the United States, other countries, or both.

Other company, product, or service names may be trademarks or service marks of others.