

## Lenovo ThinkSystem NE2572 RackSwitch Product Guide (withdrawn product)

The Lenovo ThinkSystem NE2572 RackSwitch is designed for the data center and provides 10 Gb/25 Gb Ethernet connectivity with 40 Gb/100 Gb Ethernet upstream links. It is ideal for big data, cloud, and enterprise workload solutions. It is an enterprise class Layer 2 and Layer 3 full featured switch that delivers line-rate, high-bandwidth switching, filtering, and traffic queuing without delaying data. Large data center-grade buffers help keep traffic moving, while the hot-swap redundant power supplies and fans (along with numerous high-availability software features) help provide high availability for business sensitive traffic.

The NE2572 RackSwitch has 48x SFP28/SFP+ ports that support 10 GbE SFP+ and 25 GbE SFP28 optical transceivers, active optical cables (AOCs), and direct attach copper (DAC) cables. The switch also offers 6x QSFP28/QSFP+ ports that support 40 GbE QSFP+ and 100 GbE QSFP28 optical transceivers, active optical cables (AOCs), and direct attach copper (DAC) cables. The QSFP28/QSFP+ ports can also be split out into two 50 GbE (for 100 GbE QSFP28), or four 10 GbE (for 40 GbE QSFP+) or 25 GbE (for 100 GbE QSFP28) connections by using breakout cables.

The NE2572 RackSwitch is ideal for latency sensitive applications, such as high-performance computing clusters and financial applications.

The NE2572 RackSwitch is shown in the following figure.



Figure 1. Lenovo ThinkSystem NE2572 RackSwitch

### Did you know?

With exceptional port density and flexibility with break-out cables, the NE2572 RackSwitch can support up to 72x 10 GbE / 25 GbE Ethernet connections or a mix of 10 GbE / 25 GbE server and storage connections with 40 GbE or 100 GbE upstream network connections in a 1U rack form factor.

The NE2572 RackSwitch runs the Cloud Networking Operating System (CNOS) that provides a simple, open and programmable network infrastructure with cloud-scale performance. It delivers a software-defined Ethernet solution that is simple to manage and easy to deploy using common management tools, and it enables support of automation and orchestration applications for tight integration into the data center ecosystem.

## Key features

The NE2572 RackSwitch runs the Cloud NOS that provides a simple, open and programmable network infrastructure designed to scale for your business needs. Its intelligent, cloud-scale performance delivers a software-defined Ethernet solution that is simple to manage and easy to deploy using common management tools. Cloud NOS is based on open, industry standards for better data center interoperability, and it enables support of automation and orchestration applications for tight integration into the data center ecosystem.

With its high-performance architecture and support for an extensive set of routing protocols, Cloud NOS provides reliable, high-performance fabric for traditional, converged and hyperscale solutions. Cloud NOS can help you consolidate server and storage networks into a single fabric. Converged Enhanced Ethernet delivers value for your iSCSI and NAS enterprise storage environments.

The NE2572 RackSwitch is considered particularly suited for the following environments:

- Mixed 10 GbE and 25 GbE server and storage connectivity with 40 GbE and 100 GbE upstream aggregation
- Cloud and virtualization solutions with VM-aware network automation and integration into Lenovo and third-party IT and cloud infrastructure management tools
- Converged SAN and LAN network via NAS and iSCSI storage connectivity
  - Reduced I/O cost (CAPEX) with fewer adapters and cables to purchase
  - Reduced complexity (OPEX) with fewer components to manage and lower energy cost
- Accelerated communications with lower latency across clustered applications and storage arrays with RDMA over Converged Ethernet (RoCE)
- Web-scale and hyperconverged solutions

The NE2572 RackSwitch offers the following features and benefits:

- High performance  
The 10 Gb/25 Gb Ethernet NE2572 RackSwitch with 40 Gb/100 Gb Ethernet uplinks provides a combination of low latency, non-blocking line-rate switching, and ease of management with 3.6 Tbps throughput.
- Lower power and better cooling  
The front-to-rear or rear-to-front cooling design of the NE2572 RackSwitch reduces data center air conditioning costs by having airflow match the servers in the rack. In addition, variable speed fans help reduce power consumption.
- Layer 3 functionality  
The NE2572 RackSwitch includes Layer 3 functionality, which provides security and performance benefits, as inter-VLAN traffic stays within the switch. This switch also provides the full range of Layer 3 protocols from static routes for technologies, such as Open Shortest Path First (OSPF) and Border Gateway Protocol (BGP) for enterprise customers.
- Network virtualization  
The NE2572 switch supports VXLAN Gateway for VMware NSX integration. VMware NSX is a virtualized network software platform that offers a full set of networking services, such as logical switching, routing, firewall, load balancing, VPN, quality of service (QoS), and monitoring.
- Converged fabric  
The NE2572 RackSwitch supports Converged Enhanced Ethernet (CEE) which helps enable customers to combine storage, messaging traffic, VoIP, video, and other data on a common data center lossless Ethernet infrastructure. As a result, customers can deploy a single server interface for multiple data types, which can simplify the deployment and management of server network connectivity while maintaining the high availability and robustness that is required for storage transactions.

- **Fault tolerance**  
The NE2572 RackSwitch offers redundant hot-swap hardware components, learns alternate routes automatically, and performs faster convergence if there is a link, switch, or power failure.
- **Seamless interoperability**  
RackSwitch switches perform seamlessly with other vendors' upstream switches.
- **Automated VM-aware network provisioning**  
The Lenovo CNOS Network Policy Agent, a ThinkAgile Network Orchestrator feature, gives increased visibility of the Nutanix (AOS version 5.0.2 or higher [excluding 5.1.2]) and VMware vSphere virtual infrastructure, including VM and virtual network information. It provides automated VM-aware provisioning by automatically configuring VLANs in the physical network based on the auto-discovered virtual network topology. The agent also performs ongoing dynamic updates to the physical network configuration in response to new VMs, updated VMs, and deleted VMs and virtual networks, eliminating errors with manual configuration.
- **Pro-active congestion monitoring**  
Telemetry enables continuous monitoring of networking devices to detect potential congestion problems, such as packets dropped by the switch when ports are being used close to their line rate or switch buffers are being temporarily overflowed (for example, in case of microbursts).
- **Zero Touch Provisioning**  
Zero Touch Provisioning (ZTP) enables a switch to automatically provision itself using the resources available on the network, without manual intervention. ZTP automatically handles the process of upgrading the switch software image and installing configuration files.
- **Python Scripting**  
Network administrators can create and execute local Python scripts on switches to make small programs that allow a switch to automatically provision itself, perform fault monitoring, upgrade the image files, or auto-generate configuration files. Administrators can also implement version control systems, automatically generate alerts, create custom logging tools, and automate the management of network devices.
- **REST API Programming**  
The Lenovo REpresentational State Transfer (REST) Application Program Interface (API) enables network administrators to remotely configure and manage a Lenovo switch using REST and HyperText Transfer Protocol (HTTP). It also allows switch management integration into management applications, such as Lenovo XClarity.

## Components and connectors

The following figure shows the front (port-side) panel of the NE2572 RackSwitch.

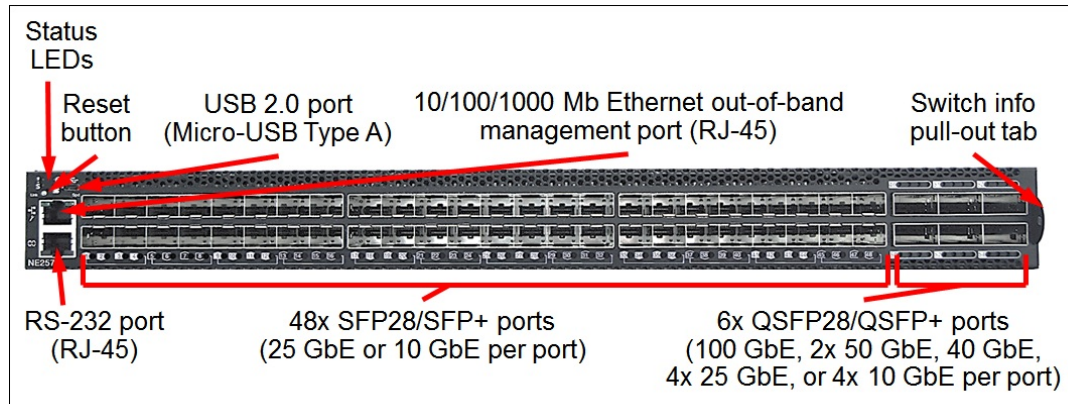


Figure 2. Front panel of the NE2572 RackSwitch

The front panel of the NE2572 RackSwitch includes the following components:

- 48x SFP28/SFP+ ports to attach SFP28/SFP+ transceivers, DAC cables, and AOCs for 25 Gb or 10 Gb Ethernet connections.
- 6x QSFP28/QSFP+ ports to attach QSFP28/QSFP+ transceivers, DAC cables, and AOCs for 100 Gb or 40 Gb Ethernet connections or breakout cables for 2x 50 Gb or 4x 25 Gb Ethernet connections out of a 100 GbE port, or 4x 10 GbE connections out of a 40 GbE port.
- One RJ-45 10/100/1000 Mb Ethernet port for out-of-band management.
- One RJ-45 RS-232 console port that provides another means to configure the switch.
- One Micro-USB Type A port for mass storage devices.
- LEDs that display the status of the switch and the network.
- Reset button.
- Switch information pull-out tab.

The following figure shows the rear (non-port-side) panel of the NE2572 RackSwitch.

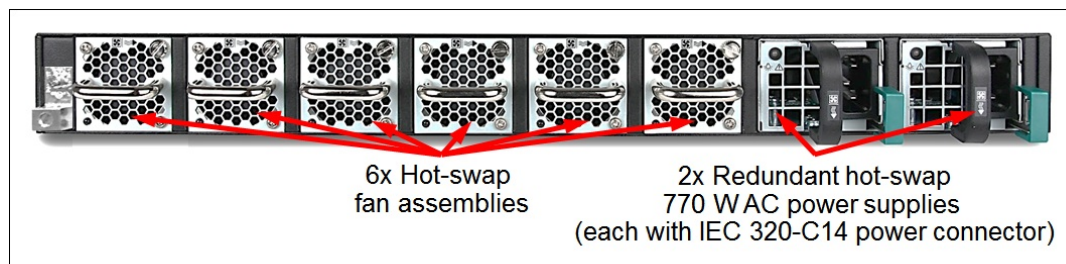


Figure 3. Rear panel of the NE2572 RackSwitch

The rear panel of the NE2572 RackSwitch includes the following components:

- Two redundant hot-swap 770 W AC power supplies (each with the IEC 320-C14 power connector).
- Six N+1 redundant hot-swap fan assemblies.

## System specifications

The following table lists the NE2572 RackSwitch system specifications.

**Note:** The supported hardware options and software features listed in this product guide are based on the Lenovo Cloud Networking Operating System (CNOS) version 10.9. For details about specific CNOS software releases that introduced support for certain hardware options and software features, refer to the Release Notes for the particular software release that can be found at:

<http://datacentersupport.lenovo.com/us/en/products/networking/rackswitch/NE2572/7159/downloads>

Table 1. NE2572 RackSwitch system specifications

Attribute	Specification
Form factor	1U rack mount
Ports	<ul style="list-style-type: none"> <li>● 48x SFP28/SFP+ ports</li> <li>● 6x QSFP28/QSFP+ ports</li> </ul>
Media types	<ul style="list-style-type: none"> <li>● 1 Gb Ethernet SFP:               <ul style="list-style-type: none"> <li>○ 1 GbE short-wavelength (SX) SFP transceivers</li> <li>○ 1 GbE long-wavelength (LX) SFP transceivers</li> <li>○ 1 GbE RJ-45 SFP transceivers</li> </ul> <p><b>Note:</b> 1 GbE SFP transceivers are supported on Ports 9 through 48 only</p> </li> <li>● 10 Gb Ethernet SFP+:               <ul style="list-style-type: none"> <li>○ 10 GbE short-range (SR) SFP+ transceivers</li> <li>○ 10 GbE long-range (LR) SFP+ transceivers</li> <li>○ 10 GbE extended-range (ER) SFP+ transceivers</li> <li>○ 10 GbE RJ-45 SFP+ transceivers</li> <li>○ 10 GbE SFP+ active optical cables</li> <li>○ 10 GbE SFP+ DAC cables</li> </ul> </li> <li>● 25 Gb Ethernet SFP28:               <ul style="list-style-type: none"> <li>○ 25 GbE SR SFP28 transceivers</li> <li>○ 25 GbE LR SFP28 transceivers</li> <li>○ 25 GbE SFP28 active optical cables</li> <li>○ 25 GbE SFP28 DAC cables</li> </ul> </li> <li>● 40 Gb Ethernet QSFP+:               <ul style="list-style-type: none"> <li>○ 40 GbE SR QSFP+ bi-directional (BiDi) transceivers</li> <li>○ 40 GbE short-range (SR4/iSR4/eSR4) QSFP+ transceivers</li> <li>○ 40 GbE long-range (LR4) QSFP+ transceivers</li> <li>○ 40 GbE QSFP+ to QSFP+ active optical cables</li> <li>○ 40 GbE QSFP+ to 4x 10 GbE SFP+ active optical breakout cables</li> <li>○ 40 GbE QSFP+ to QSFP+ DAC cables</li> <li>○ 40 GbE QSFP+ to 4x 10 GbE SFP+ DAC breakout cables</li> </ul> </li> <li>● 100 Gb Ethernet QSFP28:               <ul style="list-style-type: none"> <li>○ 100 GbE short-range (SR4) QSFP28 transceivers</li> <li>○ 100 GbE long-range (LR4) QSFP28 transceivers</li> <li>○ 100 GbE QSFP28 to QSFP28 active optical cables</li> <li>○ 100 GbE QSFP28 to 4x 25 GbE SFP28 active optical breakout cables</li> <li>○ 100 GbE QSFP28 to QSFP28 DAC cables</li> <li>○ 100 GbE QSFP28 to 4x 25 GbE SFP28 DAC breakout cables</li> <li>○ 100 GbE QSFP28 to 2x 50 GbE QSFP28 DAC breakout cables (not supplied by Lenovo)</li> </ul> </li> </ul>

Attribute	Specification
Port speeds	<ul style="list-style-type: none"> <li>● 1 GbE SFP transceivers: 1 Gbps</li> <li>● 10 GbE SFP+ transceivers, DAC cables, and AOCs: 10 Gbps</li> <li>● 25 GbE SFP28 transceivers, DAC cables, and AOCs: 25 Gbps</li> <li>● 40 GbE QSFP+ SR BiDi/SR4/LR4 transceivers: 40 GbE</li> <li>● 40 GbE QSFP+ iSR4/eSR4 transceivers, DAC cables, and AOCs: 40 GbE or 4x 10 GbE</li> <li>● 100 GbE QSFP28 DAC cables: 100 Gbps, 2x 50 [2x 25] Gbps, or 4x 25 Gbps</li> <li>● 100 GbE QSFP28 SR4 transceivers and AOCs: 100 Gbps or 4x 25 Gbps</li> <li>● 100 GbE QSFP28 LR4 transceivers: 100 GbE</li> </ul> <p><b>Notes:</b></p> <ul style="list-style-type: none"> <li>● SFP28/SFP+ ports are combined into 12 consecutive 4-port groups: Ports 1-4, 5-8,9-12, 13-16, 17-20, 21-24, 25-28, 29-32, 33-36, 37-40, 41-44, and 45-48. The SFP28/SFP+ port speed should be the same (10 Gbps or 25 Gbps) across all ports in the 4-port group.</li> <li>● 1 GbE is supported on Ports 9 through 48 only (no auto-negotiation), and these ports must be set to the 10 Gbps hardware profile port mode.</li> </ul>
Switching method	Cut-through.
Data traffic types	Unicast, multicast, broadcast.
Software features	Lenovo Cloud Networking OS (CNOS): Layer 2 switching, Layer 3 switching, virtual local area networks (VLANs), VLAN tagging, spanning tree protocol (STP), link aggregation (trunk) groups (LAGs), virtual LAGs (vLAGs), Layer 2 failover, quality of service (QoS), IPv4/IPv6 management, IPv4/IPv6 routing, equal cost multiple paths (ECMP), IPv4/IPv6 virtual router redundancy protocol (VRRP), IPv4 policy-based routing (PBR), Converged Enhanced Ethernet (CEE), Network Policy Agent, VXLAN gateway, Python scripting, REST API programming, Telemetry agent.
Performance	Non-blocking architecture with wire-speed forwarding of traffic: <ul style="list-style-type: none"> <li>● 100% line-rate performance</li> <li>● Up to 3.6 Tbps aggregated throughput</li> <li>● As low as 480 ns (QSFP28) or 535 ns (SFP28) port-to-port switching latency</li> <li>● Up to 2,678 Million packets per second (Mpps) (64-byte packets)</li> <li>● Up to 9,216-byte jumbo frames</li> <li>● Buffer size: 22 MB</li> </ul>
Scalability	<ul style="list-style-type: none"> <li>● MAC address forwarding database entries: 104,000</li> <li>● VLANs: 4,095 (3,999 user-configurable; 96 reserved)</li> <li>● Rapid Per VLAN Spanning Tree (RPVST) instances: 500</li> <li>● Multiple STP (MSTP) instances: 64</li> <li>● Link aggregation groups: 72</li> <li>● Active ports in a link aggregation group: 32</li> <li>● Maximum ingress ACL entries: 3,072</li> <li>● Maximum egress ACL entries: 512</li> <li>● Static routes (IPv4 / IPv6): 256 / 256</li> <li>● Dynamic routes (IPv4 / IPv6): 15,870 / 6,143</li> </ul>
Cooling	Six N+1 redundant hot-swap fans. Rear (non-port side) to front (port side) or front to rear airflow.
Power supply	Two load-sharing, redundant hot-swap 770 W AC (100 - 240 V) Platinum power supplies (each power supply has an IEC 320-C14 connector).
Hot-swap parts	SFP28/SFP+/QSFP28/QSFP+ transceivers, DAC cables, and AOCs; power supplies; fans.
Management ports	1x 10/100/1000 Mb Ethernet port (RJ-45); 1x RS-232 port (RJ-45); 1x USB 2.0 port (Micro-USB Type A; for additional firmware, log, and configuration files storage).
Management interfaces	Industry standard command line interface (isCLI); SNMP v1, V2, and v3; REST API. Optional Lenovo XClarity for discovery, inventory, monitoring and events. Optional Lenovo Networking plug-ins for VMware vRealize Log Insight, VMware vRealize Orchestrator, and OpenStack-based environments. Ansible support for IT automation. Ganglia support for telemetry analytics.

Attribute	Specification
Security features	Secure Shell (SSH); Secure Copy (SCP); Secure FTP (sFTP); user level security; Role-based Access Control (RBAC); LDAP/LDAPS, RADIUS, and TACACS+ authentication; access control lists (ACLs); secure mode; Trusted Platform Module (TPM) 1.2.
Hardware warranty	Three-year (Machine Type 7159) customer-replaceable unit and onsite limited warranty with 9x5 next business day terms. Optional warranty service upgrades are available through Lenovo: onsite service, 24x7 coverage, 2-hour or 4-hour response time, 1-year or 2-year warranty extensions, basic installation services.
Software maintenance	Three-year software support and subscription is included in the base warranty. Optional 1-year and 2-year warranty extensions include software support and subscription.
Mean Time Between Failures	242,685 hours MTBF.
Dimensions	Height: 44 mm (1.7 in.); width: 441 mm (17.3 in.); depth: 487 mm (19.2 in.)
Weight	11.4 kg (25.1 lb).

## Models

The following table lists the NE2572 RackSwitch models.

Table 2. NE2572 RackSwitch models

Description	Part number	Machine Type-Model	Feature code
Lenovo ThinkSystem NE2572 RackSwitch (Rear to Front)	7159E1X	7159-HE3	AV19
Lenovo ThinkSystem NE2572 RackSwitch (Front to Rear)	7159E2X	7159-HE4	AV1A

The part numbers for the NE2572 RackSwitch models include the following items:

- One NE2572 RackSwitch with two power supplies and six fan assemblies (rear-to-front airflow or front-to-rear airflow)
- Generic Rack Mount Kit (2-post)
- Cable Kit that includes the following items:
  - DB-9 (plug) to RJ-45 (plug) serial console cable
  - Micro-USB Type A (plug) to USB Type A (jack) data cable
- *Electronic Publications Flyer*

### Configuration notes:

- Power cables are not included and must be ordered together with the switch (see [Power supplies and cables](#) for details).
- Transceivers and cables are not included and should be ordered for the switch (see [Transceivers and cables](#) for details).

The NE2572 RackSwitch supports Features on Demand (FoD) license keys to enable additional features. The Advanced Instrumentation Tools FoD option enables access to low-level switch diagnostics for advanced troubleshooting.

The following table lists the FoD upgrade options for the NE2572 RackSwitch.

Table 3. FoD upgrade options

Description	Part number	Feature code
Lenovo ThinkSystem NE2572 RackSwitch Advanced Instrumentation Tools	7ZN7A04598	AXD8

## Transceivers and cables

With the flexibility of the NE2572 RackSwitch, customers can choose the following connectivity technologies:

- For 1 GbE links, customers can use SFP+ ports 9 through 48 with the 1000BASE-T SFP transceivers and RJ-45 UTP Category 5, 5E, or 6 cables for distances up to 100 meters.

For longer distances, the 1000BASE-SX transceivers can be used for distances up to 220 meters on OM1 (62.5  $\mu$ ) or up to 550 meters on OM2 (50  $\mu$ ) multimode fiber optic (MMF) cables. The 1000BASE-LX transceivers can be used for distances up to 10 kilometers on single-mode fiber optic (SMF) cables.

- For 10 GbE links, customers can use SFP28 ports with 10 GbE SFP+ direct-attached copper (DAC) cables for distances up to 7 meters or 10 GbE SFP+ active optical cables (AOCs) for distances up to 20 meters. The AOCs and DAC cables have SFP+ connectors on each end, and they do not need separate transceivers. For distances up to 30 meters, the 10GBASE-T SFP+ transceiver can be used with Category 6a or 7 RJ-45 UTP cables.

For longer distances, the 10GBASE-SR SFP+ transceivers can be used for up to 300 meters on OM3 or up to 400 meters on OM4 MMF cables. The 10GBASE-LR SFP+ transceivers can support distances up to 10 kilometers on SMF cables. For extended distances, the 10GBASE-ER SFP+ transceivers can support up to 40 kilometers on SMF cables.

To increase the number of available 10 GbE ports, customers can split out four 10 GbE ports for each QSFP28 port by using QSFP+ to 4x SFP+ DAC or active optical breakout cables for distances up to 5 meters. The 40GBASE-iSR4 QSFP+ transceivers can be used for distances up to 100 meters on OM3 or up to 150 meters on OM4 MMF MPO-to-LC breakout cables. For longer distances, the 40GBASE-eSR4 transceivers can be used for up to 300 meters on OM3 or up to 400 meters on OM4 MMF MPO-to-LC breakout cables.

- For 25 GbE links, customers can use SFP28 ports with 25 GbE SFP28 DAC cables for distances up to 5 meters or 25 GbE SFP28 active optical cables (AOCs) for distances up to 20 meters. The AOCs and DAC cables have SFP28 connectors on each end, and they do not need separate transceivers.

For longer distances, the 25GBASE-SR SFP28 transceivers can be used for up to 70 meters on OM3 or up to 100 meters on OM4 MMF cables. The 25GBASE-LR SFP28 transceivers can support distances up to 10 kilometers with single mode fiber optic LC-LC cables.

To increase the number of available 25 GbE ports, customers can split out four 25 GbE ports for each QSFP28 port by using QSFP28 to 4x SFP28 DAC breakout cables for distances up to 5 meters or active optical breakout cables for distances up to 20 meters. For longer distances, the 100GBASE-SR4 QSFP28 transceivers can be used for up to 70 meters on OM3 or up to 100 meters on OM4 MMF MPO-to-LC breakout cables.

- For 40 GbE links, customers can use QSFP28 ports with QSFP+ to QSFP+ DAC cables for distances up to 7 meters or QSFP+ to QSFP+ active optical cables for distances up to 20 meters. These DAC cables and AOCs have QSFP+ connectors on each end, and they do not need separate transceivers.

For longer distances, customers can use the 40GBASE QSFP+ bi-directional transceivers or 40GBASE-SR4/iSR4 QSFP+ transceivers for distances up to 100 meters on OM3 or up to 150 meters on OM4 MMF cables. The 40GBASE-eSR4 QSFP+ transceiver can be used for distances up to 300 meters on OM3 or up to 400 meters on OM4 MMF cables. The 40GBASE-LR4 QSFP+ transceiver can be used for distances up to 10 kilometers on SMF cables.

- For 50 GbE links, customers can split out two 50 GbE ports for each QSFP28 port by using the QSFP28-2xQSFP28 DAC breakout cables (not supplied by Lenovo).

- For 100 GbE links, customers can use QSFP28 ports with QSFP28 DAC cables for distances up to 5 meters or QSFP28 active optical cables for distances up to 20 meters. These DAC cables and AOCs have QSFP28 connectors on each end, and they do not need separate transceivers.



For longer distances, the 100GBASE-SR4 QSFP28 transceivers support distances up to 70 meters on OM3 or up to 100 meters on OM4 MMF cables. The 100GBASE-LR4 QSFP28 transceiver can be used for distances up to 10 kilometers on SMF LC cables.

**Notes:**

- SFP28/SFP+ ports are combined into 12 consecutive 4-port groups: Ports 1-4, 5-8, 9-12, 13-16, 17-20, 21-24, 25-28, 29-32, 33-36, 37-40, 41-44, and 45-48. The SFP28/SFP+ port speed should be the same (10 Gbps or 25 Gbps) across all ports in the 4-port group.
- 1 GbE is supported on Ports 9 through 48 only (no auto-negotiation), and these ports must be set to the 10 Gbps hardware profile port mode.

The following table lists the supported cables and transceivers.

Table 4. Supported transceivers and cables

Description	Part number	Feature code	Maximum quantity
<b>SFP transceivers - 1 GbE</b>			
Lenovo 1000BASE-T (RJ-45) SFP Transceiver (no 10/100 Mbps support)	00FE333	A5DL	40
Lenovo 1000BASE-SX SFP Transceiver	81Y1622	3269	40
Lenovo 1000BASE-LX SFP Transceiver	90Y9424	A1PN	40
<b>UTP Category 5E cables for 1 GbE SFP RJ-45 transceivers and 1 GbE RJ-45 management ports</b>			
0.6m Green Cat5e Cable	40K5563	3796	41
1.5m Blue Cat5e Cable	40K8785	3802	41
1.5m Green Cat5e Cable	40K5643	3797	41
3m Blue Cat5e Cable	40K5581	3803	41
3m Green Cat5e Cable	40K5793	3798	41
3m Yellow Cat5e Cable	40K8957	3793	41
10m Blue Cat5e Cable	40K8927	3804	41
10m Green Cat5e Cable	40K5794	3799	41
25m Blue Cat5e Cable	40K8930	3805	41
25m Green Cat5e Cable	40K8869	3800	41
<b>SFP+ transceivers - 10 GbE</b>			
Lenovo Dual Rate 1/10Gb SX/SR SFP+ Transceiver (no 1 Gb support)	00MY034	ATTJ	48
Lenovo 10Gb SFP+ SR Transceiver (10GBASE-SR)	46C3447	5053	48
Lenovo 10Gb SFP+ LR Transceiver (10GBASE-LR)	90Y9412	A1PM	48
Lenovo 10GBASE-LR SFP+ Transceiver	00FE331	B0RJ	48
Lenovo 10Gb SFP+ ER Transceiver (10GBASE-ER)	90Y9415	A1PP	48
Lenovo 10GBASE-T SFP+ Transceiver	7G17A03130	AVV1	48
<b>OM3 cables for 1 GbE SX SFP, 10 GbE SR SFP+, 25 GbE SR SFP28, and 40 GbE SR QSFP+ BiDi transceivers</b>			
Lenovo 0.5m LC-LC OM3 MMF Cable	00MN499	ASR5	54
Lenovo 1m LC-LC OM3 MMF Cable	00MN502	ASR6	54
Lenovo 3m LC-LC OM3 MMF Cable	00MN505	ASR7	54
Lenovo 5m LC-LC OM3 MMF Cable	00MN508	ASR8	54
Lenovo 10m LC-LC OM3 MMF Cable	00MN511	ASR9	54
Lenovo 15m LC-LC OM3 MMF Cable	00MN514	ASRA	54

Description	Part number	Feature code	Maximum quantity
Lenovo 25m LC-LC OM3 MMF Cable	00MN517	ASRB	54
Lenovo 30m LC-LC OM3 MMF Cable	00MN520	ASRC	54
OM4 cables for 1 GbE SX SFP, 10 GbE SR SFP+, 25 GbE SR SFP28, and 40 GbE SR QSFP+ BiDi transceivers			
Lenovo 0.5m LC-LC OM4 MMF Cable	4Z57A10845	B2P9	54
Lenovo 1m LC-LC OM4 MMF Cable	4Z57A10846	B2PA	54
Lenovo 3m LC-LC OM4 MMF Cable	4Z57A10847	B2PB	54
Lenovo 5m LC-LC OM4 MMF Cable	4Z57A10848	B2PC	54
Lenovo 10m LC-LC OM4 MMF Cable	4Z57A10849	B2PD	54
Lenovo 15m LC-LC OM4 MMF Cable	4Z57A10850	B2PE	54
Lenovo 25m LC-LC OM4 MMF Cable	4Z57A10851	B2PF	54
Lenovo 30m LC-LC OM4 MMF Cable	4Z57A10852	B2PG	54
UTP Category 6 cables for 1 GbE SFP and 10 GbE SFP+ RJ-45 transceivers, and 1 GbE RJ-45 management ports			
10m Cat6 Blue Cable	90Y3721	A1MU	41
10m Cat6 Green Cable	90Y3718	A1MT	41
10m Cat6 Yellow Cable	90Y3715	A1MS	41
25m Cat6 Blue Cable	90Y3730	A1MX	41
25m Cat6 Green Cable	90Y3727	A1MW	41
25m Cat6 Yellow Cable	90Y3724	A1MV	41
SFP+ active optical cables - 10 GbE			
Lenovo 1m SFP+ to SFP+ Active Optical Cable	00YL634	ATYX	48
Lenovo 3m SFP+ to SFP+ Active Optical Cable	00YL637	ATYY	48
Lenovo 5m SFP+ to SFP+ Active Optical Cable	00YL640	ATYZ	48
Lenovo 7m SFP+ to SFP+ Active Optical Cable	00YL643	ATZ0	48
Lenovo 15m SFP+ to SFP+ Active Optical Cable	00YL646	ATZ1	48
Lenovo 20m SFP+ to SFP+ Active Optical Cable	00YL649	ATZ2	48
SFP+ passive direct-attach copper cables - 10 GbE			
Lenovo 0.5m Passive SFP+ DAC Cable	00D6288	A3RG	48
Lenovo 1m Passive SFP+ DAC Cable	90Y9427	A1PH	48
Lenovo 1.5m Passive SFP+ DAC Cable	00AY764	A51N	48
Lenovo 2m Passive SFP+ DAC Cable	00AY765	A51P	48
Lenovo 3m Passive SFP+ DAC Cable	90Y9430	A1PJ	48
Lenovo 5m Passive SFP+ DAC Cable	90Y9433	A1PK	48
Lenovo 7m Passive SFP+ DAC Cable	00D6151	A3RH	48
SFP+ active direct-attach copper cables - 10 GbE			
Lenovo 1m Active DAC SFP+ Cable	00VX111	AT2R	48
Lenovo 3m Active DAC SFP+ Cable	00VX114	AT2S	48
Lenovo 5m Active DAC SFP+ Cable	00VX117	AT2T	48
SFP28 transceivers - 25 GbE			
Lenovo 25GBASE-SR SFP28 Transceiver	7G17A03537	AV1B	48
Lenovo 25GBASE-LR SFP28 Transceiver	7G17A03538	AV1C	48
SFP28 active optical cables - 25 GbE			

Description	Part number	Feature code	Maximum quantity
Lenovo 3m 25G SFP28 Active Optical Cable	7Z57A03541	AV1F	48
Lenovo 5m 25G SFP28 Active Optical Cable	7Z57A03542	AV1G	48
Lenovo 10m 25G SFP28 Active Optical Cable	7Z57A03543	AV1H	48
Lenovo 15m 25G SFP28 Active Optical Cable	7Z57A03544	AV1J	48
Lenovo 20m 25G SFP28 Active Optical Cable	7Z57A03545	AV1K	48
SFP28 passive direct-attach copper cables - 25 GbE			
Lenovo 1m Passive 25G SFP28 DAC Cable	7Z57A03557	AV1W	48
Lenovo 3m Passive 25G SFP28 DAC Cable	7Z57A03558	AV1X	48
Lenovo 5m Passive 25G SFP28 DAC Cable	7Z57A03559	AV1Y	48
QSFP28 to SFP28 adapter			
Mellanox 100G QSFP28 to 25G SFP28 Cable Adapter	4G17A10853	B306	6
QSFP+ transceivers - 40 GbE			
Lenovo 40GBASE QSFP+ Bi-Directional Transceiver	00YL631	ATYW	6
Lenovo 40GBASE-SR4 QSFP+ Transceiver	49Y7884	A1DR	6
Lenovo 40GBASE-iSR4 QSFP+ Transceiver	00D9865	ASTM	6
Lenovo 40GBASE-eSR4 QSFP+ Transceiver	00FE325	A5U9	6
Lenovo 40GBASE-LR4 QSFP+ Transceiver	00D6222	A3NY	6
Optical cables for 40 GbE QSFP+ SR4/iSR4/eSR4 transceivers			
Lenovo 10m QSFP+ MPO-MPO OM3 MMF Cable	00VX003	AT2U	6
Lenovo 30m QSFP+ MPO-MPO OM3 MMF Cable	00VX005	AT2V	6
Optical breakout cables for 40 GbE QSFP+ iSR4/eSR4 transceivers			
Lenovo 1m MPO-4xLC OM3 MMF Breakout Cable	00FM412	A5UA	6
Lenovo 3m MPO-4xLC OM3 MMF Breakout Cable	00FM413	A5UB	6
Lenovo 5m MPO-4xLC OM3 MMF Breakout Cable	00FM414	A5UC	6
QSFP+ active optical cables - 40 GbE			
Lenovo 3m QSFP+ to QSFP+ Active Optical Cable	00YL652	ATZ3	6
Lenovo 5m QSFP+ to QSFP+ Active Optical Cable	00YL655	ATZ4	6
Lenovo 7m QSFP+ to QSFP+ Active Optical Cable	00YL658	ATZ5	6
Lenovo 15m QSFP+ to QSFP+ Active Optical Cable	00YL661	ATZ6	6
Lenovo 20m QSFP+ to QSFP+ Active Optical Cable	00YL664	ATZ7	6
QSFP+ active optical breakout cables - 40 GbE to 4x10 GbE			
Lenovo 1m QSFP+ to 4xSFP+ Active Optical Cable	00YL667	ATZ8	6
Lenovo 3m QSFP+ to 4xSFP+ Active Optical Cable	00YL670	ATZ9	6
Lenovo 5m QSFP+ to 4xSFP+ Active Optical Cable	00YL673	ATZA	6
QSFP+ passive direct-attach copper cables - 40 GbE			
Lenovo 1m Passive QSFP+ DAC Cable	49Y7890	A1DP	6
Lenovo 3m Passive QSFP+ DAC Cable	49Y7891	A1DQ	6
Lenovo 5m Passive QSFP+ DAC Cable	00D5810	A2X8	6
Lenovo 7m Passive QSFP+ DAC Cable	00D5813	A2X9	6
QSFP+ passive copper breakout cables - 40 GbE to 4x 10 GbE			
Lenovo 1m Passive QSFP+ to SFP+ Breakout DAC Cable	49Y7886	A1DL	6

Description	Part number	Feature code	Maximum quantity
Lenovo 3m Passive QSFP+ to SFP+ Breakout DAC Cable	49Y7887	A1DM	6
Lenovo 5m Passive QSFP+ to SFP+ Breakout DAC Cable	49Y7888	A1DN	6
QSFP28 transceivers - 100 GbE			
Lenovo 100GBASE-SR4 QSFP28 Transceiver	7G17A03539	AV1D	6
Lenovo 100GBASE-LR4 QSFP28 Transceiver	7G17A03540	AV1E	6
Optical cables for 100 GbE QSFP28 SR4 transceivers			
Lenovo 5m MPO-MPO OM4 MMF Cable	7Z57A03567	AV25	6
Lenovo 7m MPO-MPO OM4 MMF Cable	7Z57A03568	AV26	6
Lenovo 10m MPO-MPO OM4 MMF Cable	7Z57A03569	AV27	6
Lenovo 15m MPO-MPO OM4 MMF Cable	7Z57A03570	AV28	6
Lenovo 20m MPO-MPO OM4 MMF Cable	7Z57A03571	AV29	6
Lenovo 30m MPO-MPO OM4 MMF Cable	7Z57A03572	AV2A	6
Optical breakout cables for 100 GbE QSFP28 SR4 transceivers			
Lenovo 1m MPO-4xLC Breakout OM4 MMF Cable	7Z57A03573	AV2B	6
Lenovo 3m MPO-4xLC Breakout OM4 MMF Cable	7Z57A03574	AV2C	6
Lenovo 5m MPO-4xLC Breakout OM4 MMF Cable	7Z57A03575	AV2D	6
QSFP28 active optical cables - 100 GbE			
Lenovo 1m 100G QSFP28 Active Optical Cable	4Z57A10844	B2UZ	6
Lenovo 3m 100G QSFP28 Active Optical Cable	7Z57A03546	AV1L	6
Lenovo 5m 100G QSFP28 Active Optical Cable	7Z57A03547	AV1M	6
Lenovo 10m 100G QSFP28 Active Optical Cable	7Z57A03548	AV1N	6
Lenovo 15m 100G QSFP28 Active Optical Cable	7Z57A03549	AV1P	6
Lenovo 20m 100G QSFP28 Active Optical Cable	7Z57A03550	AV1Q	6
QSFP28 active optical breakout cables - 100 GbE to 4x 25 GbE			
Lenovo 3m 100G to 4x25G Breakout Active Optical Cable	7Z57A03551	AV1R	6
Lenovo 5m 100G to 4x25G Breakout Active Optical Cable	7Z57A03552	AV1S	6
Lenovo 10m 100G to 4x25G Breakout Active Optical Cable	7Z57A03553	AV1T	6
Lenovo 15m 100G to 4x25G Breakout Active Optical Cable	7Z57A03554	AV1U	6
Lenovo 20m 100G to 4x25G Breakout Active Optical Cable	7Z57A03555	AV1V	6
QSFP28 direct attach copper cables - 100 GbE			
Lenovo 1m Passive 100G QSFP28 DAC Cable	7Z57A03561	AV1Z	6
Lenovo 3m Passive 100G QSFP28 DAC Cable	7Z57A03562	AV20	6
Lenovo 5m Passive 100G QSFP28 DAC Cable	7Z57A03563	AV21	6
QSFP28 direct attach copper breakout cables - 100 GbE			
Lenovo 1m 100G QSFP28 to 4x25G SFP28 Breakout DAC Cable	7Z57A03564	AV22	6
Lenovo 3m 100G QSFP28 to 4x25G SFP28 Breakout DAC Cable	7Z57A03565	AV23	6
Lenovo 5m 100G QSFP28 to 4x25G SFP28 Breakout DAC Cable	7Z57A03566	AV24	6

The network cables that can be used with the switch are listed in the following table.

Table 5. NE2572 RackSwitch network cabling requirements

Transceiver	Standard	Cable	Connector
<b>1 Gb Ethernet</b>			
1Gb RJ-45 SFP (00FE333)	1000BASE-T	Up to 25 m with UTP Category 5E or 6 cables supplied by Lenovo (see <a href="#">Table 4</a> ); UTP Category 5, 5E, or 6 cables up to 100 meters	RJ-45
1Gb SX SFP (81Y1622)	1000BASE-SX	Up to 30 m with fiber optic cables supplied by Lenovo (see <a href="#">Table 4</a> ); up to 550 m with 50 $\mu$ OM2 or up to 220 m with 62.5 $\mu$ OM1 multimode fiber optic cables	LC
1Gb LX SFP (90Y9424)	1000BASE-LX	1310 nm single-mode fiber optic cable up to 10 km	LC
<b>10 Gb Ethernet</b>			
10Gb SR SFP+ (46C3447) 1/10Gb SFP+ (00MY034)	10GBASE-SR	Up to 30 m with fiber optic cables supplied by Lenovo (see <a href="#">Table 4</a> ); up to 300 m with OM3 or up to 400 m with OM4 multimode fiber optic cables	LC
10Gb LR SFP+ (90Y9412, 00FE331)	10GBASE-LR	1310 nm single-mode fiber optic cable up to 10 km	LC
10Gb ER SFP+ (90Y9415)	10GBASE-ER	1310 nm single-mode fiber optic cable up to 40 km	LC
10Gb RJ-45 SFP+ (7G17A03130)	10GBASE-T	Up to 25 m with UTP Category 6 cables supplied by Lenovo (see <a href="#">Table 4</a> ); UTP Category 6a or 7 up to 30 meters	RJ-45
Active optical cable	10GBASE-SR	SFP+ active optical cables up to 20 m (see <a href="#">Table 4</a> )	SFP+
Direct attach copper cable	10GSFP+Cu	SFP+ DAC cables up to 7 m (see <a href="#">Table 4</a> )	SFP+
<b>25 Gb Ethernet</b>			
25Gb SR SFP28 (7G17A03537)	25GBASE-SR	Up to 30 m with fiber optic cables supplied by Lenovo (see <a href="#">Table 4</a> ); up to 70 m with OM3 or up to 100 m with OM4 multimode fiber optic cables	LC
25Gb LR SFP28 (7G17A03538)	25GBASE-LR	1310 nm SMF LC-LC cable up to 10 km	LC
Active optical cable	25GBASE-SR	SFP28 active optical cables up to 20 m (see <a href="#">Table 4</a> )	SFP28
Direct attach copper cable	25GBASE-CR	SFP28 DAC cables up to 5 m (see <a href="#">Table 4</a> )	SFP28
<b>40 Gb Ethernet</b>			
40Gb SR QSFP+ BiDi (00YL631)	40GBASE-SR BiDi	Up to 30 m with fiber optic cables supplied by Lenovo (see <a href="#">Table 4</a> ); up to 100 m with OM3 or up to 150 m with OM4 multimode fiber optic cables	LC
40Gb SR4 QSFP+ (49Y7884)	40GBASE-SR4	Up to 30 m with MPO-MPO fiber optic cables supplied by Lenovo (see <a href="#">Table 4</a> ); support for up to 100 m with OM3 or up to 150 m with OM4 multimode fiber optic cables	MPO
40Gb iSR4 QSFP+ (00D9865)	40GBASE-SR4	Up to 30 m with MPO-MPO fiber optic cables or up to 5 m with MPO-4xLC breakout cables supplied by Lenovo (see <a href="#">Table 4</a> ); support for up to 100 m with OM3 or up to 150 m with OM4 multimode fiber optic cables	MPO
40Gb eSR4 QSFP+ (00FE325)	40GBASE-SR4	Up to 30 m with MPO-MPO fiber optic cables or up to 5m with MPO-4xLC breakout cables supplied by Lenovo (see <a href="#">Table 4</a> ); support for up to 300 m with OM3 or up to 400 m with OM4 multimode fiber optic cables	MPO

Transceiver	Standard	Cable	Connector
40Gb LR4 QSFP+ (00D6222)	40GBASE-LR4	1310 nm single-mode fiber optic cable up to 10 km	LC
Active optical cable	40GBASE-SR4	QSFP+ to QSFP+ active optical cables up to 20 m; QSFP+ to 4x SFP+ active optical break-out cables up to 5 m for 4x 10 GbE SFP+ connections out of a 40 GbE port (see <a href="#">Table 4</a> )	QSFP+
Direct attach copper cable	40GBASE-CR4	QSFP+ to QSFP+ DAC cables up to 7 m; QSFP+ to 4x SFP+ DAC break-out cables up to 5 m for 4x 10 GbE SFP+ connections out of a 40 GbE port (see <a href="#">Table 4</a> )	QSFP+
<b>50 Gb (2x 25 Gb) Ethernet</b>			
Direct attach copper cable	25G/50G Eth. Consortium	QSFP28 to 2x QSFP28 DAC breakout cables (not supplied by Lenovo)	QSFP28
<b>100 Gb Ethernet</b>			
100Gb SR4 QSFP28 (7G17A03539)	100GBASE-SR4	Up to 30 m with MPO-MPO fiber optic cables or up to 5 m with MPO-4xLC breakout cables supplied by Lenovo (see <a href="#">Table 4</a> ); up to 70 m with OM3 or up to 100 m with OM4 multimode fiber optic cables	MPO
100Gb LR4 QSFP28 (7G17A03540)	100GBASE-LR4	1310 nm single-mode fiber optic cable up to 10 km	LC
Active optical cable	100GBASE-SR4	QSFP28 to QSFP28 active optical cables up to 20 m; QSFP28 to 4x SFP28 active optical breakout cables up to 20 m for 4x 25 GbE connections out of a 100 GbE port (see <a href="#">Table 4</a> )	QSFP28
Direct attach copper cable	100GBASE-CR4	QSFP28 to QSFP28 DAC cables up to 5 m; QSFP28 to 4x SFP28 DAC breakout cables up to 5 m for 4x 25 GbE connections out of a 100 GbE port (see <a href="#">Table 4</a> )	QSFP28
<b>Management ports</b>			
1 GbE port	1000BASE-T	Up to 25 m with UTP Category 5E or 6 cables supplied by Lenovo (see <a href="#">Table 4</a> ); UTP Category 5, 5E, or 6 cables up to 100 meters	RJ-45
RJ-45 serial port	RS-232	DB-9 to RJ-45 cable (comes with the switch)	RJ-45
Micro-USB port	USB 2.0	Micro-USB (Type A) to USB (Type A) cable (comes with the switch)	Micro-USB (Type A)

## Software features

The NE2572 RackSwitch with Cloud NOS has the following software features and specifications:

- Scalability and performance:
  - Media access control (MAC) address learning with automatic updates
  - Static and LACP (IEEE 802.3ad) link aggregation
  - Broadcast and multicast storm control
  - IGMP snooping to limit flooding of IP multicast traffic
  - IGMP filtering to control multicast traffic for hosts participating in multicast groups
  - Configurable traffic distribution schemes over trunk links based on source or destination IP or MAC addresses, or both
  - Fast port forwarding and fast uplink convergence for rapid STP convergence
- Availability and redundancy:
  - IEEE 802.1D STP for providing L2 redundancy
  - IEEE 802.1s Multiple STP (MSTP) for topology optimization
  - IEEE 802.1w Rapid STP (RSTP) provides rapid STP convergence for critical delay-sensitive traffic, such as voice or video
  - Per-VLAN Rapid STP (PVRST) enhancements
  - Layer 2 Failover to support active/standby configurations of NIC teaming on servers
  - Forwarding Error Correction (FEC) for 25 Gbps, 50 Gbps, and 100 Gbps port speeds
- VLAN support:
  - Up to 4095 VLANs:
    - VLAN 1 is the default VLAN
    - VLAN numbers 2 - 3999 are user-configurable
    - VLAN numbers 4000 - 4095 are reserved for the use by the switch
  - Port-based VLANs
  - Private VLANs
  - 802.1Q VLAN tagging
  - 802.1Q encapsulation on Layer 3 routed ports
  - Ingress VLAN tagging to tunnel packets through a public domain without altering the original 802.1Q tagging information
- Security:
  - VLAN-based, MAC-based, and IP-based access control lists (ACLs)
  - Multiple user IDs and passwords
  - User access control
  - Radius, TACACS+, and LDAP/LDAPS authentication and authorization
  - Secure mode: Only secure communication protocols are allowed to be enabled
- Quality of Service (QoS):
  - Support for IEEE 802.1p, IP ToS/DSCP, and ACL-based (MAC/IP source and destination addresses and VLANs) traffic classification and processing
  - Traffic shaping and re-marking that is based on defined policies
  - Eight output Class of Service (COS) queues per port for processing qualified traffic
  - Weighted Random Early Detection (WRED) with Explicit Congestion Notification (ECN) to avoid congestion
  - Control Plane Protection (CoPP)
  - IPv4 ACL metering

- IP v4 Layer 3 functions:
  - Host management
  - Routed ports (Switch ports as Layer 3 interfaces)
  - IP forwarding
  - IP filtering with ACLs
  - Virtual Router Redundancy Protocol (VRRP) for router redundancy
  - Static routes
  - Equal Cost Multiple Paths (ECMP)
  - Routing protocols (OSPF v2 and BGP-4)
  - Policy-based routing (PBR)
  - DHCP Relay and DHCP Snooping
  - IGMP snooping
  - DNS client
- IPv6 Layer 3 functions:
  - IPv6 host management
  - Routed ports (Switch ports as Layer 3 interfaces)
  - IPv6 forwarding
  - Virtual Router Redundancy Protocol (VRRP) for router redundancy
  - Static routes
  - Equal Cost Multiple Paths (ECMP)
  - Routing protocols (BGP-4)
  - DHCP Relay
  - DNS client
- Virtualization:
  - Virtual link aggregation groups (vLAGs)
    - Two switches (vLAG peers) act as a single virtual entity for a multi-port aggregation
    - vLAG Peer Gateway for improved usage of the link between the vLAG peers
    - Two-tier vLAGs with VRRP enables active/active VRRP to reduce routing latency
  - Data Center Interconnect (DCI) enables bridging of Layer 2 services across multiple locations over existing Layer 3 IP networks by using VXLAN high availability framework.
  - Virtual Routing and Forwarding (VRF) allows multiple instances (up to 64 for data traffic and one for management traffic) of a routing table to coexist and to work simultaneously on the switch to segment network paths.
  - Network Policy Agent gives increased visibility of the virtual infrastructure and automates VM-aware network provisioning and configuration updates for VLANs, virtual NICs, virtual networks, ACLs, and QoS based on the VM associations in a Nutanix (requires the AOS version 5.0.2 or higher [excluding 5.1.2]) or VMware vSphere environment.
  - VXLAN Gateway enables the communication between physical and virtual devices using the VXLAN protocol for VMware NSX integration.
- Converged Enhanced Ethernet:
  - Priority-Based Flow Control (PFC) (IEEE 802.1Qbb) extends 802.3x flow control to allow the switch to pause traffic that is based on the 802.1p priority value in each packet's VLAN tag.
  - Enhanced Transmission Selection (ETS) (IEEE 802.1Qaz) provides a method for allocating link bandwidth that is based on the 802.1p priority value in each packet's VLAN tag.
  - Data Center Bridging Capability Exchange Protocol (DCBX) (IEEE 802.1AB) allows neighboring network devices to exchange information about their capabilities.
- Monitoring:
  - Switch LEDs for port status and switch status indication
  - Port mirroring for analyzing network traffic passing through switch
  - Change tracking and remote logging with syslog feature
  - Telemetry agent for real-time analytics: Buffer statistics and congestion drop counters
  - sFlow agent for monitoring traffic in data networks (separate sFlow analyzer required elsewhere)



- Manageability:
  - Industry-standard command line interface (isCLI)
  - Simple Network Management Protocol (SNMP V1, V2, and V3)
  - Telnet interface for CLI
  - Secure Shell (SSH) v1 and v2 for CLI
  - Secure Copy (SCP) for uploading and downloading the configuration file via secure channels
  - Service Location Protocol (SLP)
  - Link Layer Discovery Protocol (LLDP) for discovering network devices
  - Serial interface for CLI
  - Scriptable CLI
  - Dynamic port mode for switching between 25 Gbps and 10 Gbps port speeds without rebooting
  - Dual software images
  - Firmware image update via TFTP, FTP, Secure FTP (sFTP), or USB storage
  - Network Time Protocol (NTP) for switch clock synchronization
  - Lenovo XClarity (optional) for discovery, inventory, monitoring and events
  - Lenovo Intelligent Network Controller (LINC) (optional) for Software-Defined Networking (SDN)
  - Third-party tools integration
    - Lenovo Networking Content Pack for VMware vRealize Log Insight (optional download) for automated log management
    - Integration with Nutanix Prism and VMware vCenter management via Network Policy Agent
    - Lenovo Networking Neutron Plugin to automate VLAN provisioning and configuration updates for OpenStack-based cloud environments
    - Integration with Ansible management
    - Ganglia plug-in for telemetry data analytics

## Ethernet standards

The NE2572 RackSwitch supports the following Ethernet standards:

- IEEE 802.1AB Data Center Bridging Capability Exchange Protocol (DCBX)
- IEEE 802.1D Spanning Tree Protocol (STP)
- IEEE 802.1p Class of Service (CoS) prioritization
- IEEE 802.1s Multiple STP (MSTP)
- IEEE 802.1Q Tagged VLAN (frame tagging on all ports when VLANs are enabled)
- IEEE 802.1Qbb Priority-Based Flow Control (PFC)
- IEEE 802.1Qaz Enhanced Transmission Selection (ETS)
- IEEE 802.1w Rapid STP (RSTP)
- IEEE 802.3 10BASE-T Ethernet (Ethernet management port only)
- IEEE 802.3ab 100BASE-T copper twisted pair Gigabit Ethernet
- IEEE 802.3ad Link Aggregation Control Protocol
- IEEE 802.3ae 10GBASE-SR short range fiber optics 10 Gb Ethernet
- IEEE 802.3ae 10GBASE-LR long range fiber optics 10 Gb Ethernet
- IEEE 802.3ae 10GBASE-ER extended range fiber optics 10 Gb Ethernet
- IEEE 802.3an 10GBASE-T copper twisted pair 10 Gb Ethernet
- IEEE 802.3ba 40GBASE-SR4 short range fiber optics 40 Gb Ethernet
- IEEE 802.3ba 40GBASE-CR4 copper 40 Gb Ethernet
- IEEE 802.3ba 100GBASE-LR4 long range fiber optics 100 Gb Ethernet
- IEEE 802.3bj 100GBASE-CR4 copper 100 Gb Ethernet
- IEEE 802.3bm 100GBASE-SR4 short range fiber optics 100 Gb Ethernet
- IEEE 802.3by 25GBASE-CR copper 25 Gb Ethernet
- IEEE 802.3by 25GBASE-SR short range fiber optics 25 Gb Ethernet
- IEEE 802.3cc 25GBASE-LR long range fiber optics 25 Gb Ethernet
- IEEE 802.3u 100BASE-TX Fast Ethernet (Ethernet management port only)
- IEEE 802.3x Full-duplex Flow Control
- IEEE 802.3z 100BASE-SX short range fiber optics Gigabit Ethernet

- IEEE 802.3z 1000BASE-LX long range fiber optics Gigabit Ethernet
- SFF-8431 10 Gb SFP+ Direct attach copper cable

## Cooling

The NE2572 RackSwitch ships with six variable speed, hot-swap fan assemblies that provide N+1 cooling redundancy.

## Power supplies and cables

The NE2572 RackSwitch supports up to two load-sharing, redundant hot-swap 770 W AC Platinum power supplies (two power supplies come standard with the switch).

The NE2572 RackSwitch ships without any power cables. The part numbers and feature codes to order the power cables (two power cables are required per switch) are listed in the following table.

Table 6. AC power cable options

Description	Part number	Feature code
<b>Rack power cables</b>		
1.5m, 10A/100-250V, C13 to IEC 320-C14 Rack Power Cable	39Y7937	6201
1.8m, 10A/100-250V, 2xC13PM to IEC 320-C14 Rack Power Cable	None*	6568
2.8m, 10A/100-250V, C13 to IEC 320-C14 Rack Power Cable	None*	6311
2.8m, 10A/100-250V, C13 to IEC 320-C20 Rack Power Cable	39Y7938	6204
4.3m, 10A/100-250V, C13 to IEC 320-C14 Rack Power Cable	39Y7932	6263
<b>Line cords</b>		
Argentina 10A/250V C13 to IRAM 2073 2.8m line cord	39Y7930	6222
Australia/NZ 10A/250V C13 to AS/NZ 3112 2.8m line cord	39Y7924	6211
Brazil 10A/125V C13 to NBR 6147 2.8m line cord	39Y7929	6223
China 10A/250V C13 to GB 2099.1 2.8m line cord	39Y7928	6210
Denmark 10A/250V C13 to DK2-5a 2.8m line cord	39Y7918	6213
European 10A/230V C13 to CEE7-VII 2.8m line cord	39Y7917	6212
India 10A/250V C13 to IS 6538 2.8m line cord	39Y7927	6269
Israel 10A/250V C13 to SI 32 2.8m line cord	39Y7920	6218
Italy 10A/250V C13 to CEI 23-16 2.8m line cord	39Y7921	6217
Japan 12A/125V C13 to JIS C-8303 2.8m line cord	46M2593	A1RE
Korea 12A/250V C13 to KETI 2.8m line cord	39Y7925	6219
South Africa 10A/250V C13 to SABS 164 2.8m line cord	39Y7922	6214
Switzerland 10A/250V C13 to SEV 1011-S24507 2.8m line cord	39Y7919	6216
Taiwan 10A/250V C13 to CNS 10917-3 2.8m line cord	00CG265	A53E
Taiwan 15A/125V C13 to CNS 10917-3 2.8m line cord	00CG267	A53F
United Kingdom 10A/250V C13 to BS 1363/A 2.8m line cord	39Y7923	6215
United States 10A/125V C13 to NEMA 5-15P 4.3m line cord	39Y7931	6207
United States 10A/250V C13 to NEMA 6-15P 2.8m line cord	46M2592	A1RF

\* Available for factory-built custom configurations and solutions only.

## Rack installation

The NE2572 RackSwitch ships with the 2-post rack mount kit.

For 4-post rack installations, the NE2572 RackSwitch supports the optional adjustable 19-inch, 4-post rail kit and the air inlet duct (optional for the 4-post rail kit; supported only with the models with rear to front airflow).

When the NE2572 RackSwitch (front to rear airflow) is installed in the Intelligent Cluster Rack (Machine Type 1410) or Enterprise Rack (Machine Type 9363) as a part of a NeXtScale System solution, the recessed 19-inch 4-post rail kit is required.

The following table lists rack installation options for the NE2572 RackSwitch switches with rear to front and front to rear airflow.

Table 7. Rack installation options

Description	Part number	Feature code
Rear to front airflow (7159-HE3)		
Lenovo RackSwitch Adjustable 19" 4 Post Rail Kit	00D6185	A3KP
Air Inlet Duct for 487 mm RackSwitch	00FM507	ASTN
Front to rear airflow (7159-HE4)		
Lenovo RackSwitch Adjustable 19" 4 Post Rail Kit	00D6185	A3KP
Lenovo RackSwitch Recessed 19" 4 Post Rail Kit	00CG089	A51M

## Physical specifications

The NE2572 RackSwitch has the following physical specifications:

- Height: 44 mm (1.7 in.)
- Width: 441 mm (17.3 in.)
- Depth: 487 mm (19.2 in.)
- Maximum weight: 11.4 kg (25.1 lb)

## Operating environment

The NE2572 RackSwitch is supported in the following operating environment:

- Temperature: 0 - 40 °C (32 - 104 °F).
- Relative humidity: 10 - 90% (Non-condensing)
- Altitude: Up to 2,000 m (6,561 feet)
- Acoustic noise: Less than 90 dB
- Airflow: Front-to-rear or rear-to-front cooling with variable speed fans for reduced power draw
- Electrical input: 50 / 60 Hz, 100 - 240 V AC auto-switching
- Power consumption
  - Typical: 213 W
  - Maximum: 289 W
- Heat dissipation
  - Typical: 727 BTU/hour
  - Maximum: 986 BTU/hour

## Warranty and maintenance

The NE2572 RackSwitch comes with a 3-year Customer Replaceable Unit (CRU) hardware limited warranty with 9x5 Next Business Day (NBD) parts delivered and includes a 3-year software license, which provides entitlement to software upgrades over that period. The options that are installed in the switch assume the switch's base warranty and any Lenovo warranty service upgrade for the switch.

Some regions might have different warranty terms and conditions than the standard warranty. This is due to local business practices or laws in the specific region. Local service teams can assist in explaining region-specific terms when needed. Examples of region-specific warranty terms are second or longer business day parts delivery or parts-only base warranty.

If warranty terms and conditions include onsite labor for repair or replacement of parts, Lenovo will dispatch a service technician to the customer site to perform the replacement. Onsite labor under base warranty is limited to labor for replacement of parts that have been determined to be field-replaceable units (FRUs). Parts that are determined to be customer-replaceable units (CRUs) do not include onsite labor under base warranty.

If warranty terms include parts-only base warranty, Lenovo is responsible for delivering only replacement parts that are under base warranty (including FRUs) that will be sent to a requested location for self-service. Parts-only service does not include a service technician being dispatched onsite. Parts must be changed at customer's own cost and labor and defective parts must be returned following the instructions supplied with the spares parts.

Also available are Lenovo Services warranty maintenance upgrades and post-warranty maintenance agreements, with a well-defined scope of services, including service hours, response time, term of service, and service agreement terms and conditions.

Lenovo warranty service upgrade offerings are region-specific. Not all warranty service upgrades are available in every region. For information about Lenovo warranty service upgrade offerings that are available in your region, refer to the following resources:

- Service part numbers in Lenovo Data Center Solutions Configurator (DCSC):  
<http://dcsc.lenovo.com/#!/services>
- Lenovo Services Availability Locator  
<https://lenovocator.com/>

In general, the following Lenovo warranty service upgrades are available:

- Warranty and maintenance service upgrades:
  - 3, 4, or 5 years of warranty service coverage
  - 1-year or 2-year post-warranty extensions
  - Foundation Service: 9x5 service coverage with next business day onsite response
  - Essential Service: 24x7 service coverage with 4-hour onsite response or 24-hour committed repair (available only in select regions)
  - Advanced Service: 24x7 service coverage with 2-hour onsite response or 6-hour committed repair (available only in select regions)
- Basic Hardware Installation Services  
Lenovo experts can seamlessly manage the physical installation of your server, storage, or networking hardware. Working at a time convenient for you (business hours or off shift), the technician will unpack and inspect the systems on your site, install options, mount in a rack cabinet, connect to power and network, check and update firmware to the latest levels, verify operation, and dispose of the packaging, allowing your team to focus on other priorities.

For service definitions, region-specific details, and service limitations, please refer to the following documents:

- Lenovo Statement of Limited Warranty for Data Center Group (DCG) Servers and System Storage  
<http://pcsupport.lenovo.com/us/en/solutions/ht503310>
- Lenovo Data Center Services Agreement  
<http://support.lenovo.com/us/en/solutions/ht116628>

## Regulatory compliance

The NE2572 RackSwitch conforms to the following regulations:

- Argentina IEC60950-1
- AS/NZS CISPR 22, Class A
- Canada ICES-003, Issue 4, Class A
- CE Mark (EN55022 Class A, EN60950-1, EN55024, EN61000-3-2, and EN61000-3-3)
- China CCC GB4943, GB9254 Class A, GB17625.1
- CISPR 22, Class A
- CSA C22.2 No. 60950-1
- FCC: Verified to comply with Part 15 of the FCC Rules, Class A
- IEC 60950-1 (CB Certificate and CB Test Report)
- Japan VCCI, Class A
- Korea KN22, Class A; KN24
- NOM-019
- Russia/GOST ME01, IEC-60950-1, GOST R 51318.22, 51318.24, 51317.3.2, and 51317.3.3
- Taiwan BSMI CNS13438, Class A; CNS14336-1
- TUV-GS (EN60950-1/IEC60950-1, EK1-ITB2000)
- UL/IEC 60950-1
- Reduction of Hazardous Substances (ROHS)

## Network connectivity

The following table lists the network switches with rear-to-front airflow that are offered by Lenovo that can be used with the NE2572 RackSwitch for ThinkSystem and Flex System network connectivity.

Table 8. Network switches (rear-to-front airflow)

Description	Part number
<b>1 Gb Ethernet switches</b>	
Lenovo ThinkSystem NE0152T RackSwitch (Rear to Front)	7Y810011WW
Lenovo ThinkSystem NE0152TO RackSwitch (Rear to Front, ONIE)	7Z320011WW
Lenovo RackSwitch G7028 (Rear to Front)	7159BAX
Lenovo RackSwitch G7052 (Rear to Front)	7159CAX
Lenovo RackSwitch G8052 (Rear to Front)	7159G52
<b>10 Gb Ethernet switches</b>	
Lenovo ThinkSystem NE1032 RackSwitch (Rear to Front)	7159A1X
Lenovo ThinkSystem NE1032T RackSwitch (Rear to Front)	7159B1X
Lenovo ThinkSystem NE1072T RackSwitch (Rear to Front)	7159C1X
Lenovo RackSwitch G8124E (Rear to Front)	7159BR6
Lenovo RackSwitch G8272 (Rear to Front)	7159CRW
Lenovo RackSwitch G8296 (Rear to Front)	7159GR6
<b>25 Gb Ethernet switches</b>	
Lenovo ThinkSystem NE2572O RackSwitch (Rear to Front, ONIE)	7Z210021WW

Description	Part number
100 Gb Ethernet switches	
Lenovo ThinkSystem NE10032 RackSwitch (Rear to Front)	7159D1X
Lenovo ThinkSystem NE10032O RackSwitch (Rear to Front, ONIE)	7Z210O11WW

The following table lists the network switches with front-to-rear airflow that are offered by Lenovo that can be used with the NE2572 RackSwitch for NeXtScale System network connectivity.

Table 9. Network switches (front-to-rear airflow)

Description	Part number
1 Gb Ethernet switches	
Lenovo RackSwitch G8052 (Front to Rear)	715952F
10 Gb Ethernet switches	
Lenovo ThinkSystem NE1032 RackSwitch (Front to Rear)	7159A2X
Lenovo ThinkSystem NE1032T RackSwitch (Front to Rear)	7159B2X
Lenovo ThinkSystem NE1072T RackSwitch (Front to Rear)	7159C2X
Lenovo RackSwitch G8124E (Front to Rear)	7159BF7
Lenovo RackSwitch G8272 (Front to Rear)	7159CFV
Lenovo RackSwitch G8296 (Front to Rear)	7159GF5
100 Gb Ethernet switches	
Lenovo ThinkSystem NE10032 RackSwitch (Front to Rear)	7159D2X

For more information, see the list of Product Guides in the Top-of-rack Switches category:  
<http://lenovopress.com/servers/options/switches#rt=product-guide>

## Storage connectivity

The following table lists the external storage systems that are currently offered by Lenovo that can be used with the NE2572 RackSwitch for external NAS or iSCSI SAN storage connectivity.

Table 10. External storage systems: DE Series

Description	Part number	
	Worldwide	Japan
Lenovo ThinkSystem DE Series Storage (iSCSI connectivity)		
Lenovo ThinkSystem DE2000H 10GBASE-T Hybrid Flash Array LFF	7Y70A003WW	7Y701001JP
Lenovo ThinkSystem DE2000H 10GBASE-T Hybrid Flash Array SFF	7Y71A002WW	7Y711005JP
Lenovo ThinkSystem DE2000H iSCSI Hybrid Flash Array LFF	7Y70A004WW	7Y701000JP
Lenovo ThinkSystem DE2000H iSCSI Hybrid Flash Array SFF	7Y71A003WW	7Y711006JP
Lenovo ThinkSystem DE4000H iSCSI Hybrid Flash Array 4U60	7Y77A000WW	7Y771002JP
Lenovo ThinkSystem DE4000H iSCSI Hybrid Flash Array LFF	7Y74A002WW	7Y74A002JP
Lenovo ThinkSystem DE4000H iSCSI Hybrid Flash Array SFF	7Y75A001WW	7Y75A001JP
Lenovo ThinkSystem DE4000F iSCSI All Flash Array SFF	7Y76A002WW	7Y76A002JP
Lenovo ThinkSystem DE6000H iSCSI Hybrid Flash Array 4U60	7Y80A002WW	7Y801000JP
Lenovo ThinkSystem DE6000H iSCSI Hybrid Flash Array SFF	7Y78A002WW	7Y781000JP
Lenovo ThinkSystem DE6000F iSCSI All Flash Array SFF	7Y79A002WW	7Y79A002JP

Table 11. External storage systems: DM Series

Description	Part number
Lenovo ThinkSystem DM Series Storage (NAS or iSCSI connectivity)	
Lenovo ThinkSystem DM3000H Hybrid Storage Array (2U12 LFF, CTO only)	7Y42CTO1WW
Lenovo ThinkSystem DM3000H 48TB (12x 4TB HDDs) (Universal SFP+)	7Y420001EA*
Lenovo ThinkSystem DM3000H 48TB (12x 4TB HDDs) (10GBASE-T)	7Y420002EA*
Lenovo ThinkSystem DM5000H Hybrid Storage Array (2U24 SFF, CTO only)	7Y57CTO1WW
Lenovo ThinkSystem DM5000H 11.5TB (12x 960GB SSDs) (Universal SFP+)	7Y570001EA*
Lenovo ThinkSystem DM5000H 11.5TB (12x 960GB SSDs) (10GBASE-T)	7Y570002EA*
Lenovo ThinkSystem DM5000H 29TB (24x 1.2TB 10K HDDs) (Universal SFP+)	7Y570003EA*
Lenovo ThinkSystem DM5000H 29TB (24x 1.2TB 10K HDDs) (10GBASE-T)	7Y570004EA*
Lenovo ThinkSystem DM5000F Flash Storage Array (2U24 SFF, CTO only)	7Y41CTO1WW
Lenovo ThinkSystem DM7000H Hybrid Storage Array (3U, CTO only)	7Y56CTO1WW
Lenovo ThinkSystem DM7000F Flash Storage Array (3U, CTO only)	7Y40CTO1WW

\* Available only in EMEA.

Table 12. External storage systems: DS Series

Description	Part number		
	Worldwide	Japan	PRC
Lenovo ThinkSystem DS Series Storage (iSCSI connectivity)			
Lenovo ThinkSystem DS2200 LFF FC/iSCSI Dual Controller Unit	4599A31	4599A3J	4599A3C
Lenovo ThinkSystem DS2200 SFF FC/iSCSI Dual Controller Unit	4599A11	4599A1J	4599A1C
Lenovo ThinkSystem DS4200 LFF FC/iSCSI Dual Controller Unit	4617A31	4617A3J	4617A3C
Lenovo ThinkSystem DS4200 SFF FC/iSCSI Dual Controller Unit	4617A11	4617A1J	4617A1C
Lenovo ThinkSystem DS6200 SFF FC/iSCSI Dual Controller Unit	4619A11	4619A1J	4619A1C
DS6200F 12x 400GB 10DWD SSDs, 1x 8Gb FC SFP, 512 Snapshots, Replication	4619A1F	4619J1F	4619C1F
DS6200F 12x 800GB 3DWD SSDs, 1x 8Gb FC SFP, 512 Snapshots, Replication	4619A2F	4619J2F	4619C2F
DS6200F 12x 1.6TB 3DWD SSDs, 1x 8Gb FC SFP, 512 Snapshots, Replication	4619A3F	4619J3F	4619C3F
DS6200F 12x 3.84TB 1DWD SSDs, 1x 8Gb FC SFP, 512 Snapshots, Replication	4619A4F	4619J4F	4619C4F

Table 13. External storage systems: V Series and Storwize for Lenovo

Description	Part number
Lenovo Storage V Series (iSCSI connectivity)	
Lenovo Storage V3700 V2 LFF Control Enclosure	6535C1D
Lenovo Storage V3700 V2 SFF Control Enclosure	6535C2D
Lenovo Storage V3700 V2 XP LFF Control Enclosure	6535C3D
Lenovo Storage V3700 V2 XP SFF Control Enclosure	6535C4D
Lenovo Storage V5030 LFF Control Enclosure 3Yr S&S	6536C12
Lenovo Storage V5030 LFF Control Enclosure 5Yr S&S	6536C32
Lenovo Storage V5030 SFF Control Enclosure 3Yr S&S	6536C22
Lenovo Storage V5030 SFF Control Enclosure 5Yr S&S	6536C42
Lenovo Storage V5030F SFF Control Enclosure 3Yr S&S	6536B1F
Lenovo Storage V5030F SFF Control Enclosure 5Yr S&S	6536B2F
Lenovo Storage V7000 SFF Control Enclosure 3Yr S&S PRC	6538R11^
Lenovo Storage V7000 SFF Control Enclosure 5Yr S&S PRC	6538R21^
Lenovo Storage V7000F SFF Control Enclosure 3Yr S&S PRC	6538R1G^
Lenovo Storage V7000F SFF Control Enclosure 5Yr S&S PRC	6538R2G^
IBM Storwize for Lenovo (iSCSI connectivity)	
IBM Storwize V7000 SFF Control Enclosure, 3YR SWMA	6195C32†
IBM Storwize V7000 SFF Control Enclosure, 3YR SWMA, LA	6195C3L‡
IBM Storwize V7000 SFF Control Enclosure, 5YR SWMA	6195C52†
IBM Storwize V7000 SFF Control Enclosure, 5YR SWMA, LA	6195C5L‡

^ Available only in PRC.

† Available worldwide except Latin America.

‡ Available only in Latin America.



For more information, see the list of Product Guides in the following categories:

- Lenovo DE Series, DM Series, DS Series, and V Series storage:  
<http://lenovopress.com/storage/san/lenovo#rt=product-guide>
- IBM Storwize for Lenovo storage:  
<http://lenovopress.com/storage/san/ibm#rt=product-guide>

## Rack cabinets

The following table lists the rack cabinets that are offered by Lenovo that can be used with the NE2572 RackSwitch in IT solutions.

Table 14. Rack cabinets

Description	Part number
25U S2 Standard Rack (1000 mm deep; 2 sidewall compartments)	93072RX
25U Static S2 Standard Rack (1000 mm deep; 2 sidewall compartments)	93072PX
42U S2 Standard Rack (1000 mm deep; 6 sidewall compartments)	93074RX
42U 1100mm Enterprise V2 Dynamic Rack (6 sidewall compartments)	93634PX
42U 1100mm Enterprise V2 Dynamic Expansion Rack (6 sidewall compartments)	93634EX
42U 1200mm Deep Dynamic Rack (6 sidewall compartments)	93604PX
42U 1200mm Deep Static Rack (6 sidewall compartments)	93614PX
42U Enterprise Rack (1105 mm deep; 4 sidewall compartments)	93084PX
42U Enterprise Expansion Rack (1105 mm deep; 4 sidewall compartments)	93084EX

For more information, see the list of Product Guides in the Rack cabinets category:  
<http://lenovopress.com/servers/options/racks?rt=product-guide>

## Power distribution units

The following table lists the power distribution units (PDUs) that are offered by Lenovo that can be used with the NE2572 RackSwitch in IT solutions.

Table 15. Power distribution units

Description	Part number
<b>0U Basic PDUs</b>	
0U 36 C13/6 C19 24A/200-240V 1 Phase PDU with NEMA L6-30P line cord	00YJ776
0U 36 C13/6 C19 32A/200-240V 1 Phase PDU with IEC60309 332P6 line cord	00YJ777
0U 21 C13/12 C19 32A/200-240V/346-415V 3 Phase PDU with IEC60309 532P6 line cord	00YJ778
0U 21 C13/12 C19 48A/200-240V 3 Phase PDU with IEC60309 460P9 line cord	00YJ779
<b>Switched and Monitored PDUs</b>	
0U 20 C13/4 C19 Switched and Monitored 24A/200-240V/1Ph PDU w/ NEMA L6-30P line cord	00YJ781
0U 20 C13/4 C19 Switched and Monitored 32A/200-240V/1Ph PDU w/ IEC60309 332P6 line cord	00YJ780
0U 18 C13/6 C19 Switched / Monitored 32A/200-240V/346-415V/3Ph PDU w/ IEC60309 532P6 cord	00YJ782
0U 12 C13/12 C19 Switched and Monitored 48A/200-240V/3Ph PDU w/ IEC60309 460P9 line cord	00YJ783
1U 9 C19/3 C13 Switched and Monitored DPI PDU (without a line cord)	46M4002

Description	Part number
1U 9 C19/3 C13 Switched and Monitored 60A 3Ph PDU with IEC 309 3P+Gnd cord	46M4003
1U 12 C13 Switched and Monitored DPI PDU (without a line cord)	46M4004
1U 12 C13 Switched and Monitored 60A 3 Phase PDU with IEC 309 3P+Gnd line cord	46M4005
Ultra Density Enterprise PDUs (9x IEC 320 C13 + 3x IEC 320 C19 outlets)	
Ultra Density Enterprise C19/C13 PDU Module (without a line cord)	71762NX
Ultra Density Enterprise C19/C13 PDU 60A/208V/3ph with IEC 309 3P+Gnd line cord	71763NU
C13 Enterprise PDUs (12x IEC 320 C13 outlets)	
DPI C13 Enterprise PDU+ (without a line cord)	39M2816
DPI Single Phase C13 Enterprise PDU (without a line cord)	39Y8941
C19 Enterprise PDUs (6x IEC 320 C19 outlets)	
DPI Single Phase C19 Enterprise PDU (without a line cord)	39Y8948
DPI 60A 3 Phase C19 Enterprise PDU with IEC 309 3P+G (208 V) fixed line cord	39Y8923
Front-end PDUs (3x IEC 320 C19 outlets)	
DPI 30amp/125V Front-end PDU with NEMA L5-30P line cord	39Y8938
DPI 30amp/250V Front-end PDU with NEMA L6-30P line cord	39Y8939
DPI 32amp/250V Front-end PDU with IEC 309 2P+Gnd line cord	39Y8934
DPI 60amp/250V Front-end PDU with IEC 309 2P+Gnd line cord	39Y8940
DPI 63amp/250V Front-end PDU with IEC 309 2P+Gnd line cord	39Y8935
Universal PDUs (7x IEC 320 C13 outlets)	
DPI Universal 7 C13 PDU (with 2 m IEC 320-C19 to C20 rack power cord)	00YE443
NEMA PDUs (6x NEMA 5-15R outlets)	
DPI 100-127V PDU with fixed NEMA L5-15P line cord	39Y8905
Line cords for PDUs that ship without a line cord	
DPI 30a Line Cord (NEMA L6-30P)	40K9614
DPI 32a Line Cord (IEC 309 P+N+G)	40K9612
DPI 32a Line Cord (IEC 309 3P+N+G)	40K9611
DPI 60a Cord (IEC 309 2P+G)	40K9615
DPI 63a Cord (IEC 309 P+N+G)	40K9613
DPI Australian/NZ 3112 Line Cord (32A)	40K9617
DPI Korean 8305 Line Cord (30A)	40K9618

For more information, see the list of Product Guides in the Power Distribution Units category:  
<http://lenovopress.com/servers/options/pdu?rt=product-guide>

## Uninterruptible power supply units

The following table lists the uninterruptible power supply (UPS) units that are offered by Lenovo that can be used with the NE2572 RackSwitch in IT solutions.

Table 16. Uninterruptible power supply units

Description	Part number
Worldwide models	
RT1.5kVA 2U Rack or Tower UPS (100-125VAC) (8x NEMA 5-15R 12A outlets)	55941AX
RT1.5kVA 2U Rack or Tower UPS (200-240VAC) (8x IEC 320 C13 10A outlets)	55941KX
RT2.2kVA 2U Rack or Tower UPS (100-125VAC) (8x NEMA 5-20R 16A outlets)	55942AX
RT2.2kVA 2U Rack or Tower UPS (200-240VAC) (8x IEC 320 C13 10A, 1x IEC 320 C19 16A outlets)	55942KX
RT3kVA 2U Rack or Tower UPS (100-125VAC) (6x NEMA 5-20R 16A, 1x NEMA L5-30R 24A outlets)	55943AX
RT3kVA 2U Rack or Tower UPS (200-240VAC) (8x IEC 320 C13 10A, 1x IEC 320 C19 16A outlets)	55943KX
RT5kVA 3U Rack or Tower UPS (200-240VAC) (8x IEC 320 C13 10A, 2x IEC 320 C19 16A outlets)	55945KX
RT6kVA 3U Rack or Tower UPS (200-240VAC) (8x IEC 320 C13 10A, 2x IEC 320 C19 16A outlets)	55946KX
RT8kVA 6U Rack or Tower UPS (200-240VAC) (4x IEC 320-C19 16A outlets)	55948KX
RT11kVA 6U Rack or Tower UPS (200-240VAC) (4x IEC 320-C19 16A outlets)	55949KX
RT8kVA 6U 3:1 Phase Rack or Tower UPS (380-415VAC) (4x IEC 320-C19 16A outlets)	55948PX
RT11kVA 6U 3:1 Phase Rack or Tower UPS (380-415VAC) (4x IEC 320-C19 16A outlets)	55949PX
ASEAN, HTK, INDIA, and PRC models	
ThinkSystem RT3kVA 2U Standard UPS (200-230VAC) (2x C13 10A, 2x GB 10A, 1x C19 16A outlets)	55943KT
ThinkSystem RT3kVA 2U Long Backup UPS (200-230VAC) (2x C13 10A, 2x GB 10A, 1x C19 16A outlets)	55943LT
ThinkSystem RT6kVA 5U UPS (200-230VAC) (2x C13 10A outlets, 1x Terminal Block output)	55946KT
ThinkSystem RT10kVA 5U UPS (200-230VAC) (2x C13 10A outlets, 1x Terminal Block output)	5594XKT

For more information, see the list of Product Guides in the Uninterruptible Power Supply Units category:  
<http://lenovopress.com/servers/options/ups#rt=product-guide>

## Lenovo Financial Services

Lenovo Financial Services reinforces Lenovo's commitment to deliver pioneering products and services that are recognized for their quality, excellence, and trustworthiness. Lenovo Financial Services offers financing solutions and services that complement your technology solution anywhere in the world.

We are dedicated to delivering a positive finance experience for customers like you who want to maximize your purchase power by obtaining the technology you need today, protect against technology obsolescence, and preserve your capital for other uses.

We work with businesses, non-profit organizations, governments and educational institutions to finance their entire technology solution. We focus on making it easy to do business with us. Our highly experienced team of finance professionals operates in a work culture that emphasizes the importance of providing outstanding customer service. Our systems, processes and flexible policies support our goal of providing customers with a positive experience.

We finance your entire solution. Unlike others, we allow you to bundle everything you need from hardware and software to service contracts, installation costs, training fees, and sales tax. If you decide weeks or months later to add to your solution, we can consolidate everything into a single invoice.

Our Premier Client services provide large accounts with special handling services to ensure these complex transactions are serviced properly. As a premier client, you have a dedicated finance specialist who manages your account through its life, from first invoice through asset return or purchase. This specialist develops an in-depth understanding of your invoice and payment requirements. For you, this dedication provides a high-quality, easy, and positive financing experience.

For your region specific offers please ask your Lenovo sales representative or your technology provider about the use of Lenovo Financial Services. For more information, see the following Lenovo website:

<http://www.lenovofs.com>

## Related publications and links

For more information about the NE2572 RackSwitch, see the following publications that are available at the RackSwitch InfoCenter:

[http://systemx.lenovofiles.com/help/topic/com.lenovo.thinksystem.ne2572.doc/ts\\_ne2572.html](http://systemx.lenovofiles.com/help/topic/com.lenovo.thinksystem.ne2572.doc/ts_ne2572.html)

- *Lenovo ThinkSystem NE2572 RackSwitch Installation Guide*
- *Lenovo ThinkSystem NE2572 RackSwitch Application Guide*
- *Lenovo ThinkSystem NE2572 RackSwitch REST API Guide*
- *Lenovo ThinkSystem NE2572 RackSwitch Python Programming Guide*

The software for the NE2572 RackSwitch can be downloaded from Lenovo Data Center Support:

<http://datacentersupport.lenovo.com>

For more information about the following management plug-ins for the NE2572 RackSwitch, see Network Management:

<http://www3.lenovo.com/us/en/data-center/networking/networking-software/network-management>

- ThinkAgile Network Orchestrator
- Lenovo Networking Plug-In for VMware vRealize Orchestrator
- Lenovo Networking Content Pack for VMware vRealize Log Insight
- Lenovo Networking Bundle for VMware vRealize
- Lenovo Networking Plug-In for OpenStack Neutron
- Integration with Ansible
- Lenovo Telemetry Analytics Tool: Ganglia Plugins

For discussions on various Lenovo networking topics, visit the Data Center Networking Community Forum:

[http://forums.lenovo.com/t5/Datacenter-Networking/ct-p/nh\\_eg](http://forums.lenovo.com/t5/Datacenter-Networking/ct-p/nh_eg)

## Related product families

Product families related to this document are the following:

- [25 Gb Ethernet Connectivity](#)
- [Top-of-Rack Switches](#)

## Notices

Lenovo may not offer the products, services, or features discussed in this document in all countries. Consult your local Lenovo representative for information on the products and services currently available in your area. Any reference to a Lenovo product, program, or service is not intended to state or imply that only that Lenovo product, program, or service may be used. Any functionally equivalent product, program, or service that does not infringe any Lenovo intellectual property right may be used instead. However, it is the user's responsibility to evaluate and verify the operation of any other product, program, or service. Lenovo may have patents or pending patent applications covering subject matter described in this document. The furnishing of this document does not give you any license to these patents. You can send license inquiries, in writing, to:

Lenovo (United States), Inc.  
1009 Think Place - Building One  
Morrisville, NC 27560  
U.S.A.  
Attention: Lenovo Director of Licensing

LENOVO PROVIDES THIS PUBLICATION "AS IS" WITHOUT WARRANTY OF ANY KIND, EITHER EXPRESS OR IMPLIED, INCLUDING, BUT NOT LIMITED TO, THE IMPLIED WARRANTIES OF NON-INFRINGEMENT, MERCHANTABILITY OR FITNESS FOR A PARTICULAR PURPOSE. Some jurisdictions do not allow disclaimer of express or implied warranties in certain transactions, therefore, this statement may not apply to you.

This information could include technical inaccuracies or typographical errors. Changes are periodically made to the information herein; these changes will be incorporated in new editions of the publication. Lenovo may make improvements and/or changes in the product(s) and/or the program(s) described in this publication at any time without notice.

The products described in this document are not intended for use in implantation or other life support applications where malfunction may result in injury or death to persons. The information contained in this document does not affect or change Lenovo product specifications or warranties. Nothing in this document shall operate as an express or implied license or indemnity under the intellectual property rights of Lenovo or third parties. All information contained in this document was obtained in specific environments and is presented as an illustration. The result obtained in other operating environments may vary. Lenovo may use or distribute any of the information you supply in any way it believes appropriate without incurring any obligation to you.

Any references in this publication to non-Lenovo Web sites are provided for convenience only and do not in any manner serve as an endorsement of those Web sites. The materials at those Web sites are not part of the materials for this Lenovo product, and use of those Web sites is at your own risk. Any performance data contained herein was determined in a controlled environment. Therefore, the result obtained in other operating environments may vary significantly. Some measurements may have been made on development-level systems and there is no guarantee that these measurements will be the same on generally available systems. Furthermore, some measurements may have been estimated through extrapolation. Actual results may vary. Users of this document should verify the applicable data for their specific environment.

© Copyright Lenovo 2021. All rights reserved.

This document, LP0608, was created or updated on February 4, 2019.

Send us your comments in one of the following ways:

- Use the online Contact us review form found at:  
<http://lenovopress.com/LP0608>
- Send your comments in an e-mail to:  
[comments@lenovopress.com](mailto:comments@lenovopress.com)

This document is available online at <http://lenovopress.com/LP0608>.

## Trademarks

Lenovo and the Lenovo logo are trademarks or registered trademarks of Lenovo in the United States, other countries, or both. A current list of Lenovo trademarks is available on the Web at <https://www.lenovo.com/us/en/legal/copytrade/>.

The following terms are trademarks of Lenovo in the United States, other countries, or both:

Lenovo®  
Flex System  
Intelligent Cluster  
Lenovo Services  
NeXtScale  
NeXtScale System®  
RackSwitch  
ThinkAgile  
ThinkSystem  
XClarity®

Other company, product, or service names may be trademarks or service marks of others.